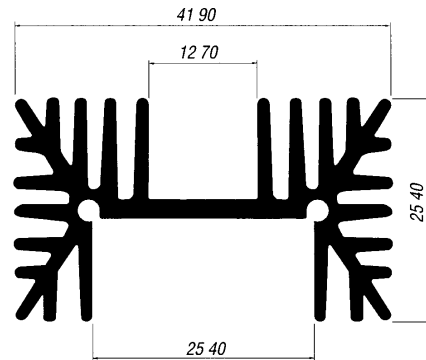
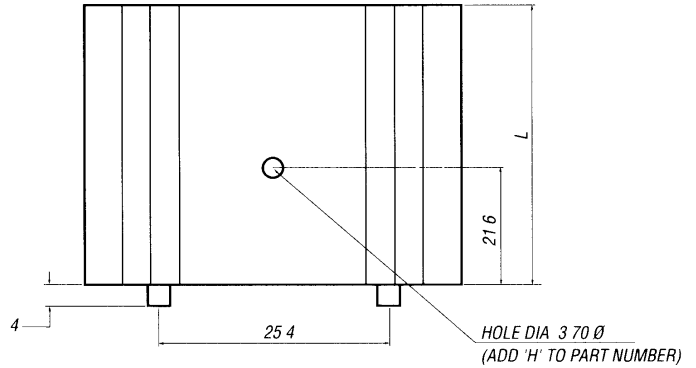
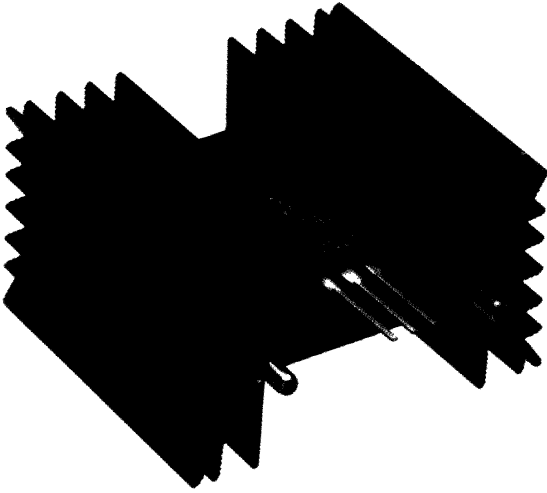


BOARD MOUNTING SERIES

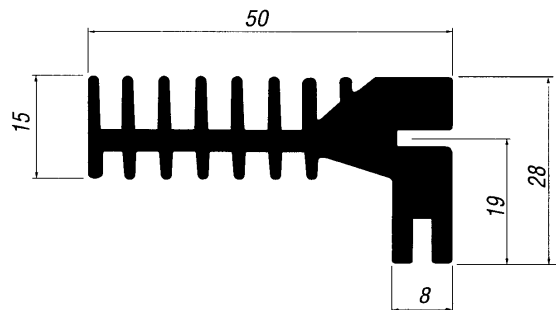
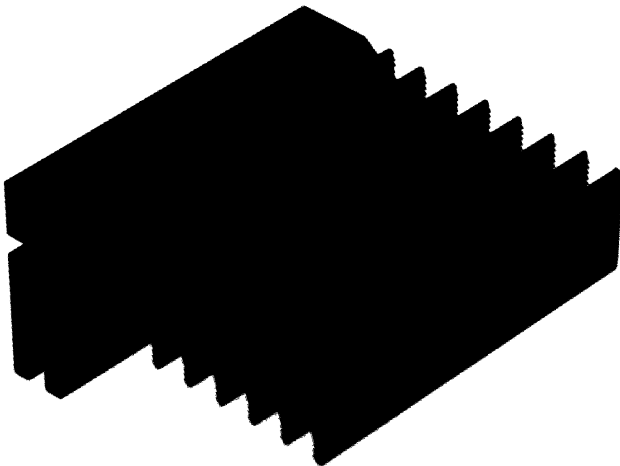
PPX



Length (mm) L	Part Number Without Pins	Part Number With Pins	Thermal Rating K/W
38	PPX38	PPX38P	6.70
50	PPX50	PPX50P	5.60
63	PPX63	PPX63P	4.70

IF HOLE REQUIRED, ADD 'H' TO PART NUMBER i.e. PPX38PH

PPL



Length	Thermal Rating
50mm	5.0 K/W
75mm	3.7 K/W
100mm	3.1 K/W
150mm	2.3 K/W