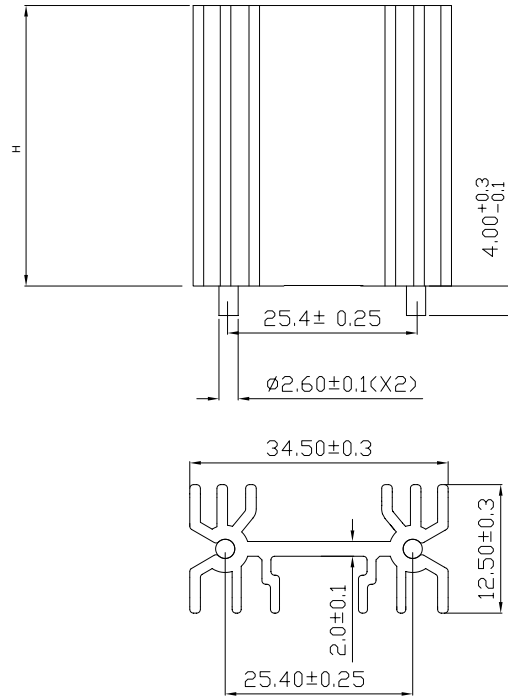


# Heatsink Extruded

Compact, vertical mounting extruded heat-sink with solderable fixing pins. Designed for a single TO220 package via clip available separately.

**Product Features:**

- Choice of thermal resistance
- Solderable mounting pins
- Black anodize finish



Mfg Part No:	Thermal Resistance:	Height (mm):	Device Mtg:
MC33285	11.4°C/W	25.0	Clip 1
MC33286	10.2°C/W	38.0	Clip 1
MC33287	8.8°C/W	50.0	Clip 1

Mfg Part No:	Description:
MC33293	Clip 1

Clip 1

