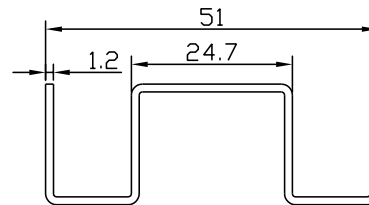
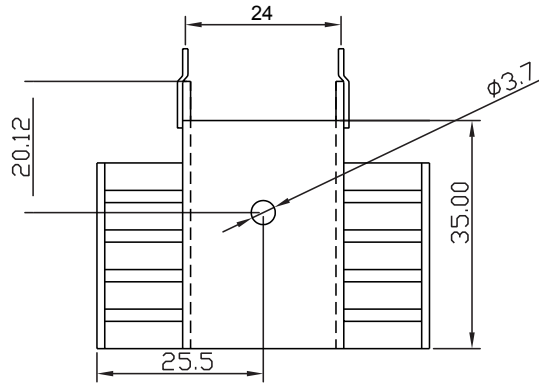


Heatsink Extruded

High power dissipation heatsink, with solderable tags. Pre drilled for a single TO218/220 and TO247 package.

Product Features:

- Low thermal resistance
- Black anodise finish



Mfg Part No:	Thermal Resistance:	Height (mm):	Device Mtg:
MC33276	7.0°C/W	42	Mounting Hole