

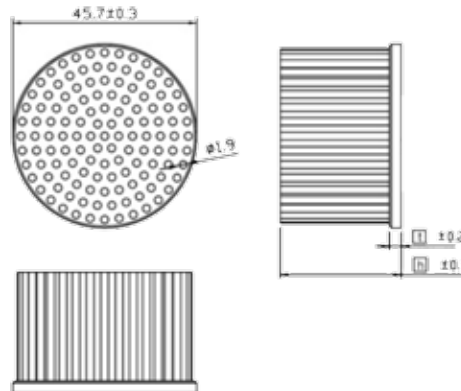


# CML4601 Series Ordering Information

Part	Height	Base	Seq #
CML4601-	20	- 3	- 101
CML4601-	25	- 3	- 101
CML4601-	30	- 3	- 101
CML4601-	35	- 3	- 101

## LED Heat Sink Specification

- 1. Material: Al 6063
- 2. Dimension:  
Foot print: Ø46mm
- 3. Finish: Black Anodize



## Performance

Results Based On Natural Convection	
Height	oC/W
CML4601-20-3-101	6.20
CML4601-25-3-101	5.52
CML4601-30-3-101	4.85
CML4601-35-3-101	4.61