

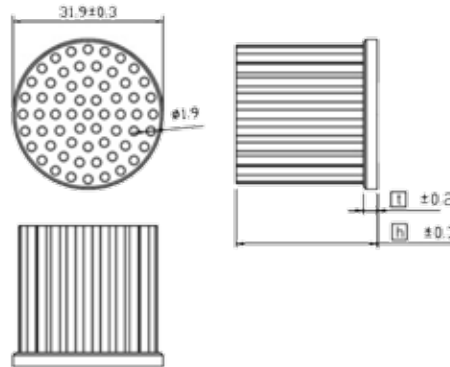


CML3201 Series Ordering Information

Part	Height	Base	Seq #
CML3201-	20	- 3	- 101
CML3201-	25	- 3	- 101
CML3201-	30	- 3	- 101
CML3201-	35	- 3	- 101

LED Heat Sink Specification

1. Material: Al 6063
2. Dimension:
Foot print: Ø32mm
3. Finish: Black Anodize



Performance

Results Based On Natural Convection	
Height	oC/W
CML3201-20-3-101	10.58
CML3201-25-3-101	9.75
CML3201-30-3-101	9.27
CML3201-35-3-101	8.13

60 Alhambra Road, Suite 1, Warwick, RI 02886-1445
 tel: 401-921-6500 toll free: 866-732-8103 fax: 401-738-6231
 email: sales@cooliance.com www.cooliance.com