

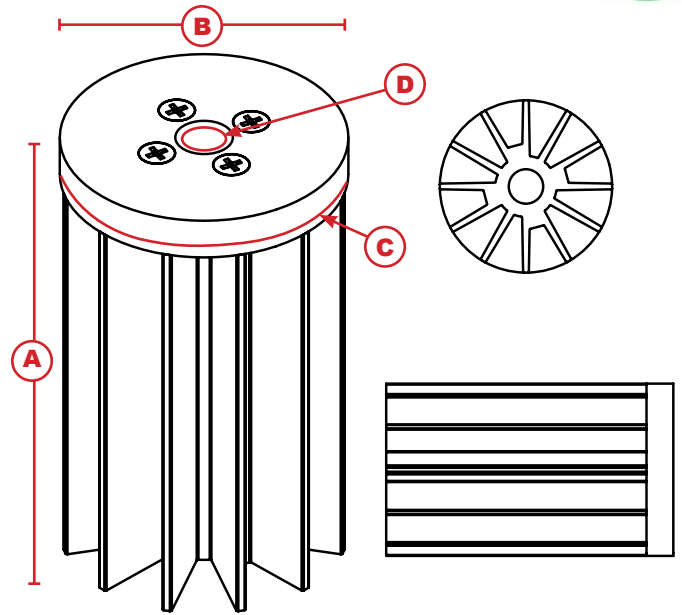


STAR LED HEAT SINK

ATS PART # ATSEU-077B-C4-R0

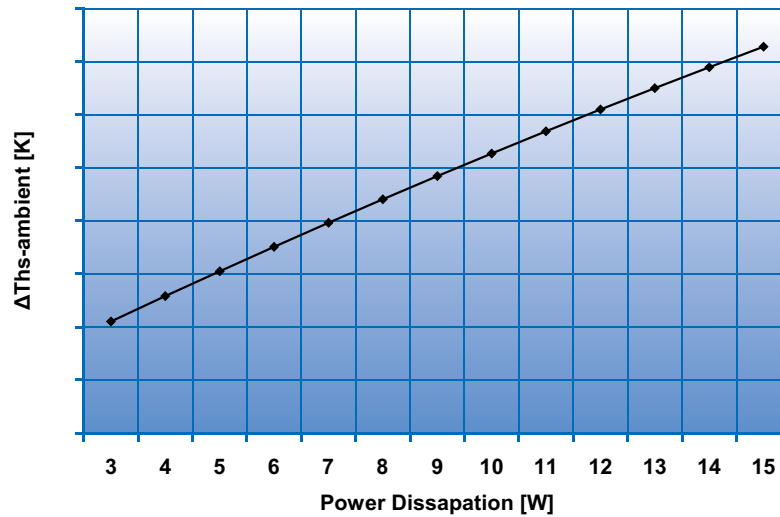
Features & Benefits

- » Designed for high-performance convection cooling of high heat flux LEDs
- » Base includes inner and outer threads for attachment of lens mounts, brackets and other hardware
- » Each Star series heat sink is made from lightweight, anodized aluminum for maximum thermal performance



*Image above is for illustration purposes only.

Thermal Performance



Product Details

LENGTH (A)	DIAMETER (B)	OUTER THREAD (C)	INNER THREAD (D)	WEIGHT	FINISH
50 mm	45 mm	M43X1.5	M10X1	80 G	BLK/SILVER TIP

NOTES:

- 1) Thermal performance data are provided for reference only. Actual performance may vary by application.
- 2) ATS reserves the right to update or change its products without notice to improve the design or performance.
- 3) Contact ATS to learn about custom options available.



ATS ADVANCED THERMAL SOLUTIONS, INC.
Innovations in Thermal Management®

For more information, to find a distributor or to place an order, visit www.qats.com or call: 781.769.2800 (North America); +31 (0) 3569 84715 (Europe).