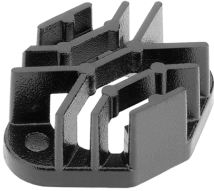
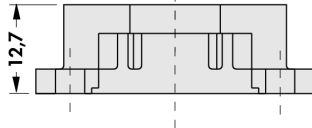
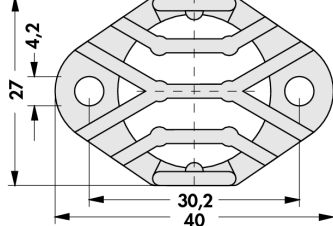

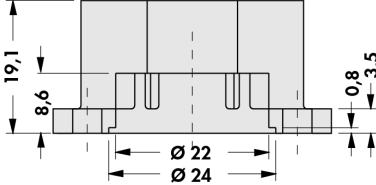
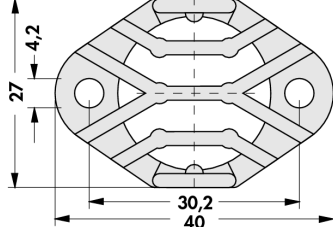

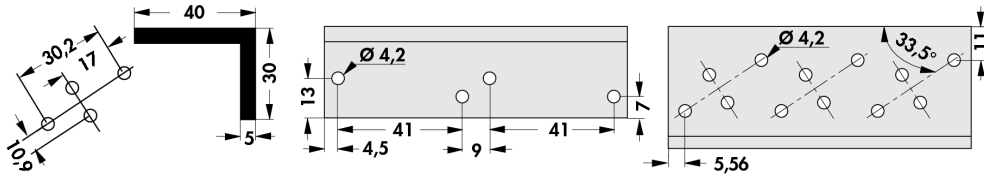


Die-cast heatsinks
setup heatsinks and angle for TO 3

		
art. no. AKK 127	H [mm] 27	R_{th} [K/W] 14
		
art. no. AKK 191	H [mm] 27	R_{th} [K/W] 12

material: die-casting aluminium
surface treatment: black lacquered

			
art. no.	H	H [mm]	R_{th} [K/W]
WP 4030 100 ...	-	100	3.7
WP 4030 100 3 ...	TO 3	100	3.7
please indicate: ... surface treatment AL =raw degreased aluminium SA =black anodised			