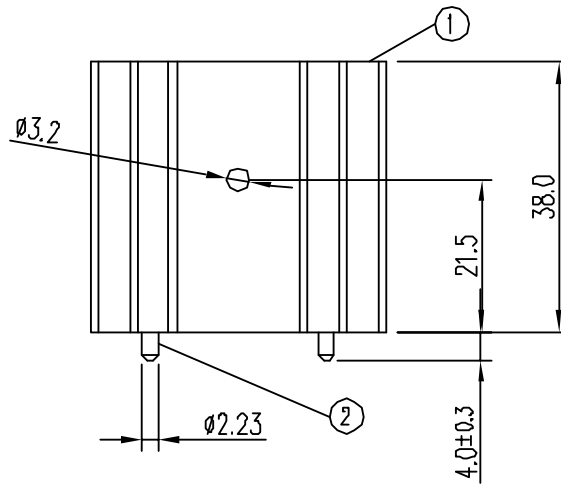
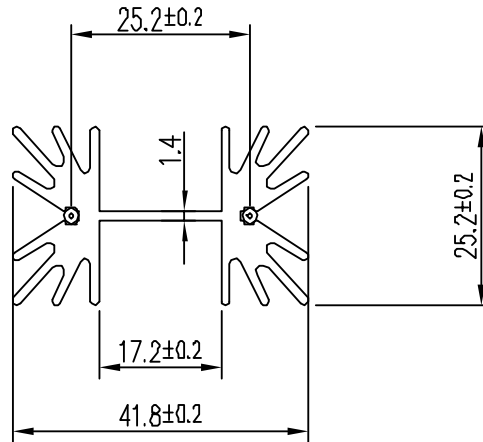


Pos.	Description	Q.ty	P/N
2	PIN-BRASS-D.2,23x15-TIN-BM012 B	2	406072G
1	HTSK-AL-DS097-38-B-ML97/3B STD	1	405144



Note: ML97/3B + pins

Scale  
1 : 1

THIS DOCUMENT CONTAINS AAVD THERMALLOY'S INTELLECTUAL PROPERTY WHICH IS SUPPLIED IN CONFIDENCE; IT MUST NOT BE USED FOR ANY PURPOSE OTHER THAN WHICH IT IS SUPPLIED; IT MUST NOT BE REPRODUCED WITHOUT WRITTEN PERMISSION FROM THE OWNERS

1	B	13Jan05	RoHS compliant pins used; ECF 323 B0 refers	AS
	A	04Apr02	ORIGINAL (was L097B50)	
Formok	A4	REV	Date	Revision description
Dir n.	MATERIAL Aluminium EN AW-6060			DRAWING n. <b>BC067</b>
Factor	GENERAL TOLERANCES		Extrusion UNI3879	Vis. n. 405145G
Per im.			Machining UNI2768m	Drawn A. Bizzarri
Avad	FINISH BLACK ANODIZATION			Check
Weight				Description: KIT-AL-DS097-38-B-PINS-ML97 STD-COEF MIN 200pz - BC067 B



**AAVID THERMALLOY**  
EUROPE [www.aavidthermalloy.com](http://www.aavidthermalloy.com)

Via XXV Aprile, 22  
40057 Castiglione - Bologna ITALY  
Tel. +39 051 784011 Fax +39 051 784080

Cherry Manor  
SWINDON WILTS SN2 2QN UK  
Tel. +44 1793 401400 Fax +44 1793 616888

COMPANY WITH QUALITY SYSTEM CERTIFIED BY LUKA  
ISO 9001:2000