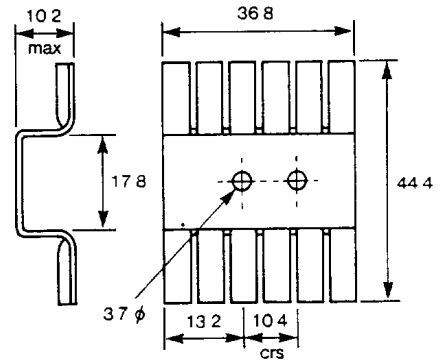
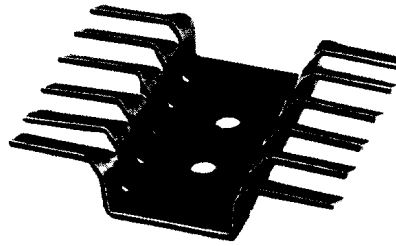
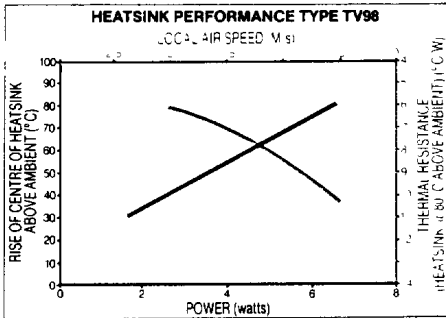


TV98 Powerfin - TO220 etc.

Low height heatsink with good thermal rating suitable for one or two devices.

Finish: Black anodised

TV98 $\Theta = 12^\circ \text{C/W}$



1.25GY-50 Heatsink - TO220 etc.

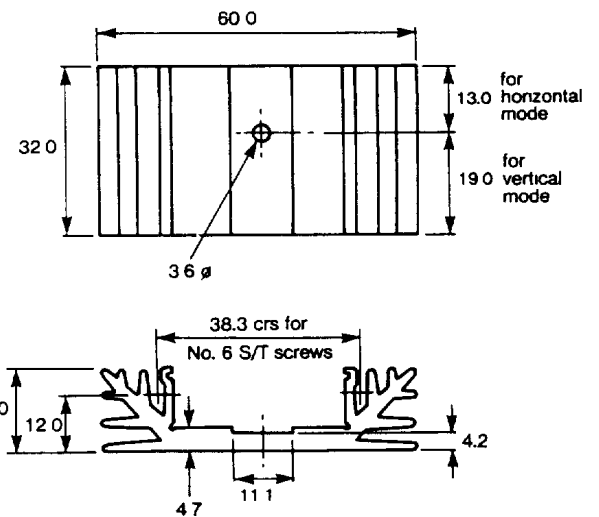
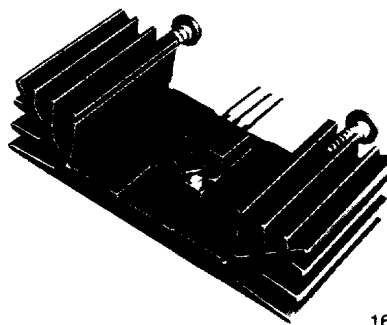
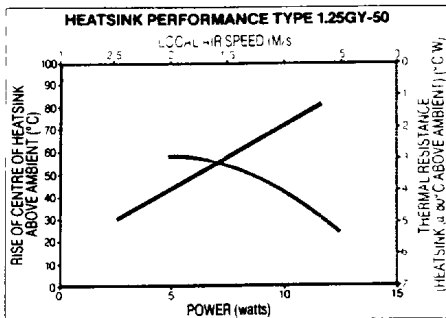
May be mounted in vertical or horizontal mode.


Central groove prevents device rotation.

Finish: Black anodised

1.25GY-50 $\Theta = 6.8^\circ \text{C/W}$ (Horizontal)

$\Theta = 8.6^\circ \text{C/W}$ (Vertical)



 redpoint FLEXIPADS, including adhesive backed, the dry alternative to thermal grease standard semiconductor snaps or to your design. See page 50