

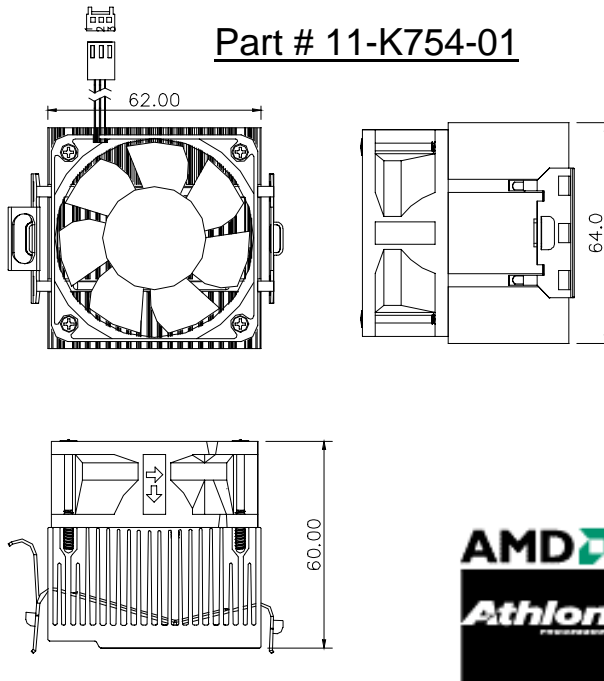


**AAVID
THERMALLOY**

11-K754-01 (036113) CPU COOLER

For AMD ATHLON®/DURON® FCPGA

Part # 11-K754-01



Fan Heat Sink Specification

- 1 Ball and 1 Sleeve Bearing
- 12VDC Fan
- 3 Pin Molex 2695 Connector or Equivalent
- Pin 1 (-) Pin 2 (+) Pin 3 (FOO)
- Fan Speed is approximately 4200 RPM
- Fan Noise less than 38 dBA
- For fan variations including bearing type, speed, and interface materials, please contact Application Engineering

- Optimized Fan Assembly
- High Aspect Ratio Extrusion
- Maximum Surface Area
- Phase Change Interface Pad
- 3 Wire Smart Fan Signal
- Designed for Socket A
- Sturdy clip design withstands rugged environments

Thermal Performance

The 11-K754-01 was tested inside of a PC using an Asus Tek motherboard, with an AMD 1.1 GHz Athlon. The PC was placed in a 30 °C/watt thermal chamber. The thermal resistance measured was **0.66 °C/watt** from the case of the CPU to the ambient air. In addition, this heat sink was also tested at AMD and meets their thermal requirement for the Athlon family through 1.33 GHz.

Athlon and Duron are registered trademarks of Advanced Micro Devices.