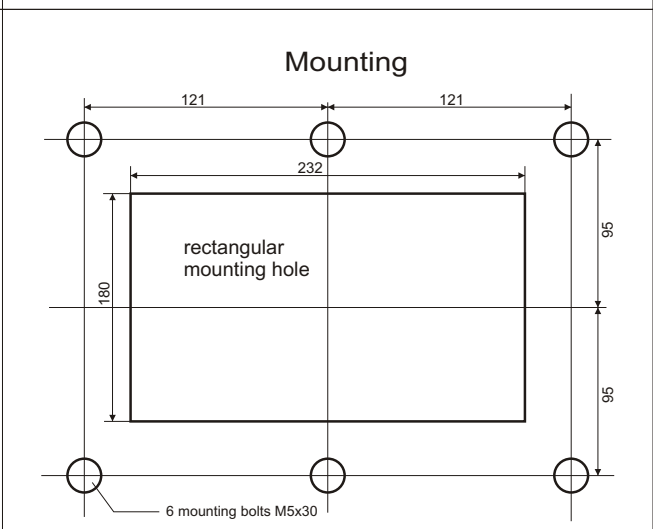
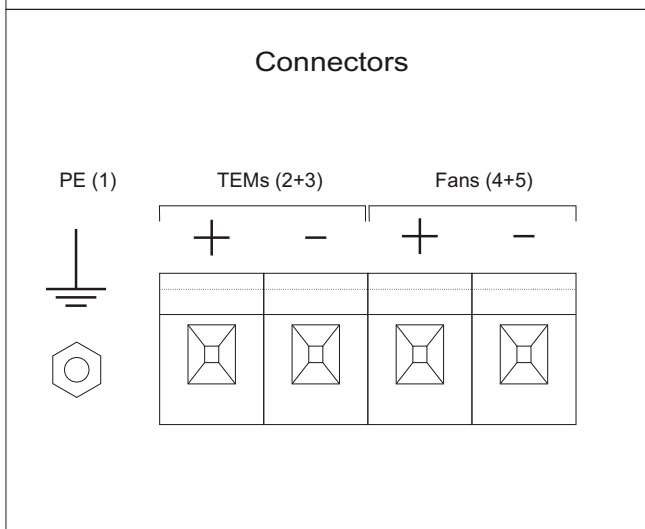
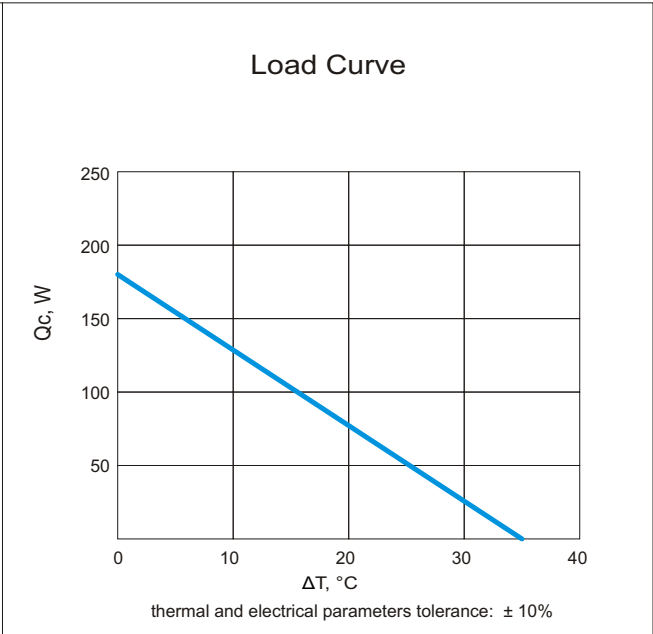
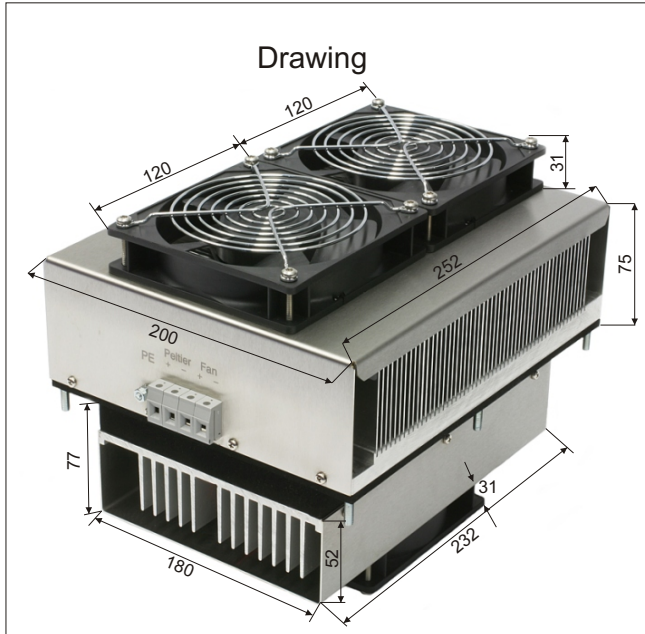


Thermoelectric Cooling Unit **UEPK-A2AH-24V-380W** max. cooling capacity 380W



The maximum cooling capacity corresponds for zero difference between temperature of cold and hot heat sinks.
The operational cooling capacity corresponds for zero difference between temperature of cold heat sink and ambient temperature.

Technical Data	Max. cooling capacity (W ±10%)	380,0
	Operating cooling capacity (W nom. ±10%)	185,0
	Operating voltage (V ±10%)	24,0
	Operating current (A max. ±10%)	14,4
	Operating temperature range (°C min / max.)	-10 / +80
	Dimensions (L x W x H, ±0,5mm)	252x200x214
	Mounting hole (L x W ±1,5mm)	232x180
	Weight (kg)	7,0
	Fans coldside (VDC / A)	1x24/0,38
	Fans warmside (VDC / A)	2x24/0,38

voltage version / ordering part-no. for hot-side connection plug	
24V	
UEPK-A2AH-24V-380W	

Protection category	IP55
---------------------	------

Customized versions on request!
All dimensions in millimeters (mm).
Subject to alteration errors excepted.