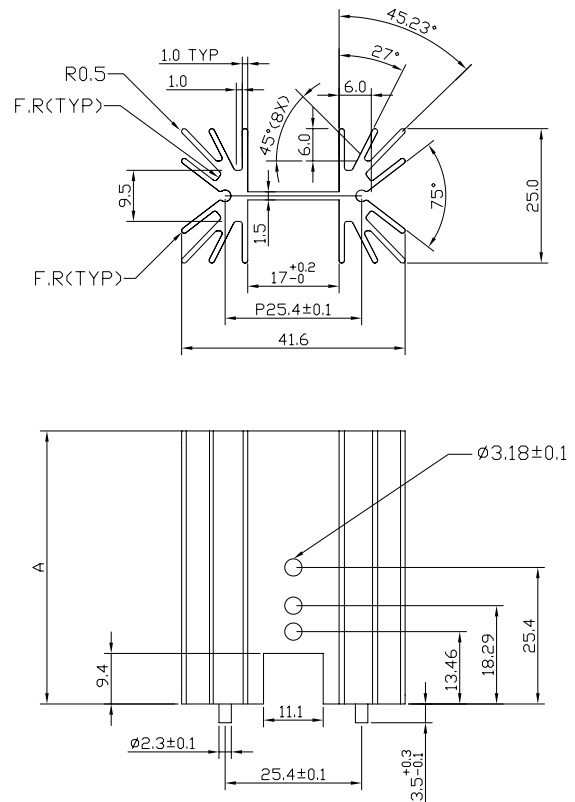


Heatsink Extruded

A high power dissipation, vertical mounting extruded heatsink with solderable fixing pins and notched base. Pre-drilled for a single TO218/220 package or via clip available separately.

Product Features:

- Choice of thermal resistance
- Notched base
- Solderable mounting pins
- Pre-drilled mounting holes
- Black anodize finish



Mfg Part No:	Thermal Resistance:	Height (mm):	Device Mtg:
MC33265	3.9°C/W	38.1	Clip 5
MC33266	3.6°C/W	50.8	Clip 5
MC33267	3.1°C/W	63.5	Clip 5

Mfg Part No:	Description:
MC33297	Clip 5

Clip 5

