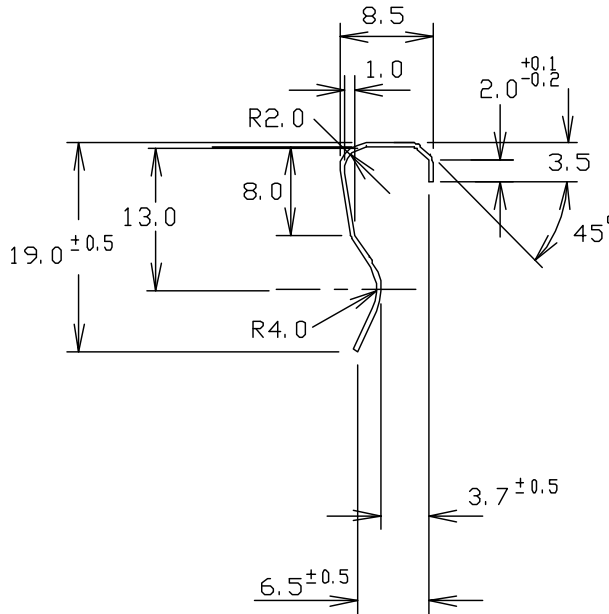
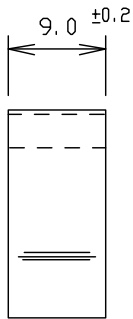


THIS DOCUMENT CONTAINS AVID THERMALLOY'S INTELLECTUAL PROPERTY WHICH IS SUPPLIED IN CONFIDENCE; IT MUST NOT BE USED FOR ANY PURPOSE OTHER THAN WHICH IT IS SUPPLIED; IT MUST NOT BE REPRODUCED WITHOUT WRITTEN PERMISSION FROM THE OWNERS



UNSPECIFIED INTERNAL RADII = R0.5

UNCONTROLLED DOCUMENT  
CORRECT ONLY ON / /

**AAVID THERMALLOY**  
EUROPE [www.avidthermalloy.com](http://www.avidthermalloy.com)

Via SOV Aprile III  
40067 Casola Bologna  
ITALY  
Tel. +39 051 784011  
Fax. +39 051 784080

Cheney Manor  
Swindon Wiltshire SN2 2DN  
UNITED KINGDOM  
Tel. +44 1753 537861  
Fax. +44 1753 615356

COMPANY  
WITH QUALITY SYSTEM  
CERTIFIED BY LLOYDS  
= ISO 9001:2000 =

Die n.	MATERIAL D.4mm BSI 449 CS70 AUST 525-575			DRAWING n.	ZA4525		
Factor	GENERAL TOLERANCES	5	16Dec05	SM	439650		
Perm.	±0.3, ANGLES ±2° UNLESS OTHERWISE STATED	4	01Dec04	SM	Description: 4525G SLIM T0220 SPRING CLIP		
Area	FINISH MECHANICAL ZINC PLATE	3	19Sep94	FF			
Weight	TRIVALENT CLEAR PASSIVATE AND JS 500 SEAL	2	10Jun94	TH			
Note:	ALL DIMENSIONS IN MM	1	Feb92	FF			
	Drawn	1	Feb92	FF			
	Check			Approved	Format	Scale	3
REV	Date	Revision description		A4	NTS		