

RL90DC Series

Flatpak

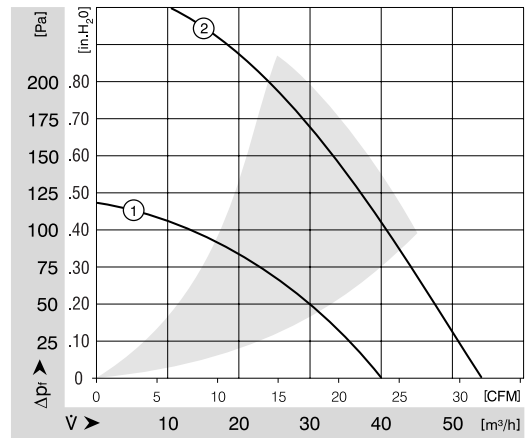
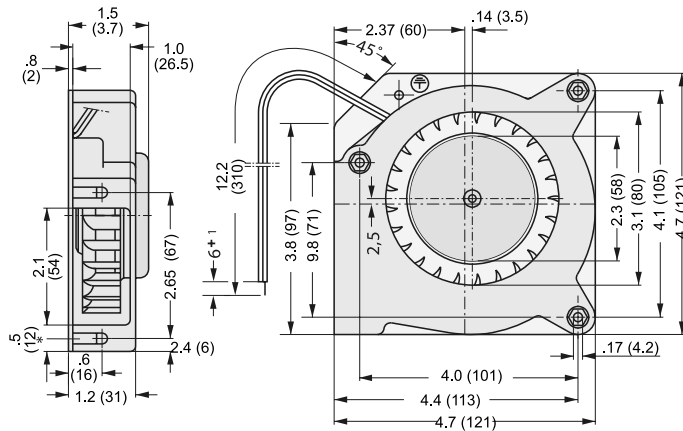
121x121x37mm



- DC radial blower with electronically commutated external rotor motor. Fully integrated commutation electronics.
- With electronic protection against reverse polarity, blocking and overloading by PTC-resistor; partially impedance protected.

- Spiral housing and blower of fiber-glass reinforced plastic. Housing base of galvanised steel plate.
- Radial air exhaust through housing port.
- Electrical connection via 2 leads AWG 22, TR 64. Stripped and tinned ends.
- UL, CSA, VDE approvals on some models, please contact application engineering.

Part Number	Curve	CFM @ 0	VDC	Volt. Range	Power (W)	dBA	Max Amb. Temp C	Bearing Type	Features	Wgt. (lbs)
RL90-18/12N	1	23.5	12	7 to 15	5.5	58	75	Ball	Leads	0.93
RL90-18/12NG	1	23.5	12	7 to 15	5.5	58	75	Sleeve	Leads	0.93
RL90-18/14N	1	23.5	24	12 to 28	5.0	58	75	Ball	Leads	0.93
RL90-18/14NG	1	23.5	24	12 to 28	5.0	58	75	Sleeve	Leads	0.93
RL90-18/18NH	2	32.4	48	40 to 53	15.0	69	55	Ball	Leads	0.93



ebmpapst

e-mail: sales@us.ebmpapst.com · TEL: 860-674-1515 · FAX: 860-674-8536

ebm-papst Inc., 100 Hyde Road, Farmington, CT 06034 USA

ebm-papst Inc., 2006 © ebm-papst Inc. reserves the right to change any specifications or data without notice