

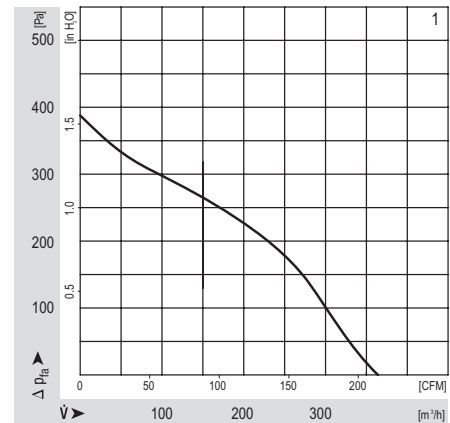
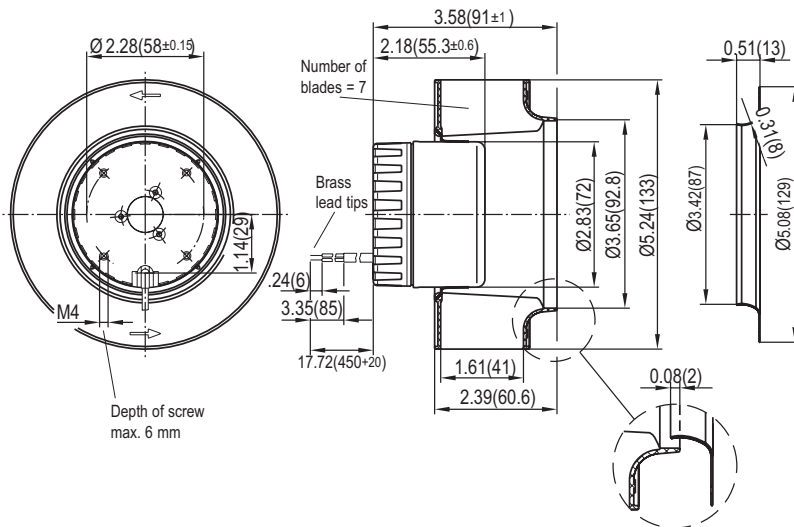


## R1G133AA Series Motorized Impeller

### Ø 133mm Backward Curved

- These centrifugal fans have backward curved blades offering an extremely good aerodynamic efficiency
- Impeller completely made of plastic PA 6.6, injection-molded round sheet-metal plate.
- Wiring connection: Red = + ; Blue = - ; White = Tach Output; Yellow = Speed Control
- Integrated electronics with reverse polarity and locked-rotor protection. Rotation is CW. Tach Output. Cable exit: variable.
- UL, CSA, VDE approvals on most models, please contact application engineering.
- Recommended inlet ring: 9566-2-4013

| Part Number    | Curve | CFM @ 0 | VDC | Volt. Range | Power (W) | dBA | Max. Amb. Temp C | Impeller Material | Speed (RPM) | Wgt. (lbs) |
|----------------|-------|---------|-----|-------------|-----------|-----|------------------|-------------------|-------------|------------|
| R1G133-AA61-14 | 1     | 212     | 12  | 8 to 14     | 28        | 63  | 60               | Plastic           | 3900        | 1.54       |
| R1G133-AA17-02 | 1     | 212     | 24  | 16 to 28    | 28        | 63  | 60               | Plastic           | 3900        | 1.54       |
| R1G133-AA65-02 | 1     | 212     | 48  | 36 to 57    | 28        | 63  | 60               | Plastic           | 3900        | 1.54       |



**ebmpapst**

e-mail: [sales@us.ebmpapst.com](mailto:sales@us.ebmpapst.com) - TEL: 860-674-1515 - FAX: 860-674-8536

ebm-papst Inc., 100 Hyde Road, Farmington, CT 06034 USA

ebm-papst Inc., 2006 © ebm-papst Inc. reserves the right to change any specifications or data without notice