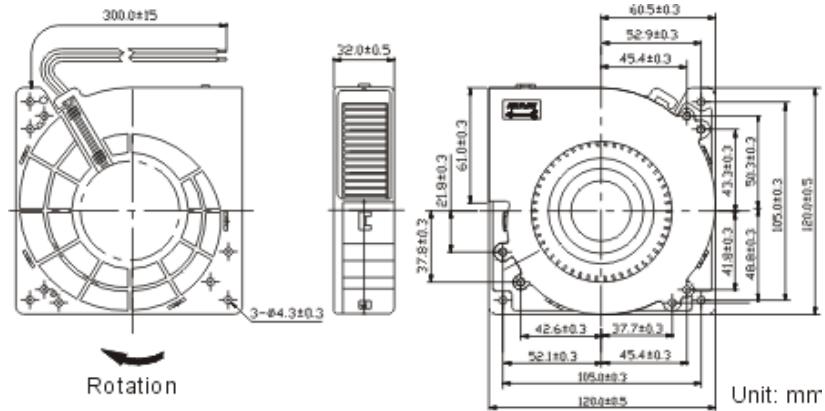
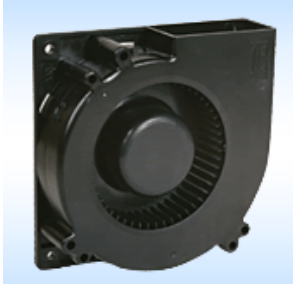




AVB12032

Mechanical Drawing:

120mm x 32mm DC Blower

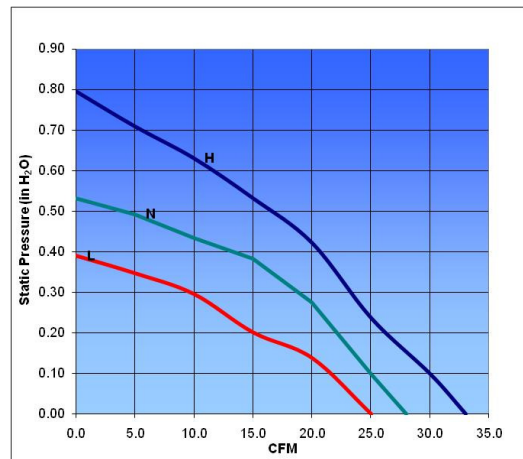


Standard Specifications

Size:	120mm x 32mm
Operating Temp:	-10 C to 70 C
Storage Temp:	-40 C to 80 C
Housing:	Plastic, UL-94V0
Blades:	Plastic, UL-94V0
Termination:	300mm leads
Red:	+
Black:	-
Certifications:	ROHS, UL Pending
Motor Protection:	Impedance & Polarity



Performance



- * The maximum airflow and speed are measured at free air using a dual air test chamber.
- * The maximum air pressure is measured with zero air flow at ambient temperature.
- * All readings are typical values at the rated voltage.

120 mm X 32 mm DC Blower

Part Number	Listed Model	Bearing System	Rated Voltage VDC	Operation Voltage VDC	Rated Current A	Rated Speed RPM	Air Flow CFM	Air pressure inch H ₂ O	Noise Level dBA	Available Features (Optional)	Weight g			
										Tachometer Output	Rotation Detector	Thermal Control	Pulse Width Modulation	
303739	AVB12032-12HB1	Ball	12	6	0.87	2,100	33.1	0.79	51	•	•	•	•	240
303740	AVB12032-12NB1	Ball	12	6	0.6	1,800	28.2	0.52	47	•	•	•	•	240
303741	AVB12032-12LB1	Ball	12	6	0.49	1,600	25	0.38	45	•	•	•	•	240
303742	AVB12032-24HB1	Ball	24	12	0.5	2,100	33.1	0.79	51	•	•	•	•	240
303743	AVB12032-24NB1	Ball	24	12	0.35	1,800	28.2	0.52	47	•	•	•	•	240
303744	AVB12032-24LB1	Ball	24	12	0.28	1,600	25	0.38	45	•	•	•	•	240
303745	AVB12032-48HB1	Ball	48	24	0.30	2,100	33.1	0.79	51	•	•	•	•	240
303746	AVB12032-48NB1	Ball	48	24	0.2	1,800	28.2	0.52	47	•	•	•	•	240
303747	AVB12032-48LB1	Ball	48	24	0.15	1,600	25	0.38	45	•	•	•	•	240