



Diplomat® DD8939 Series

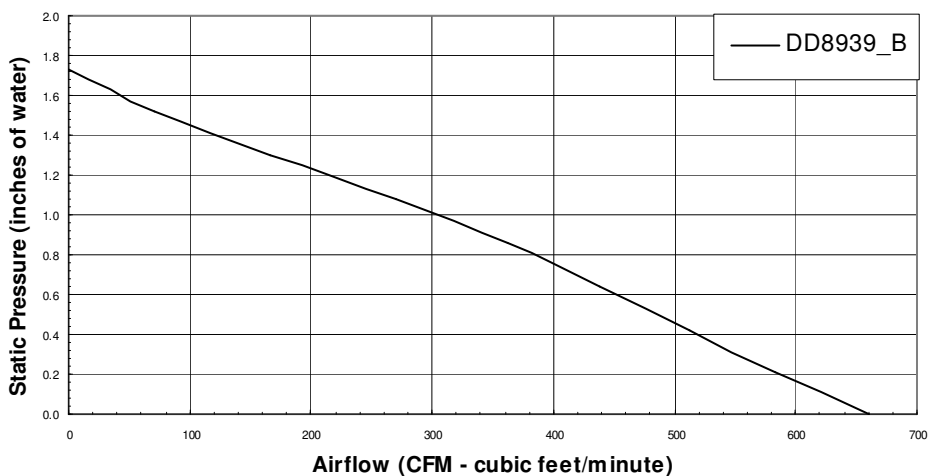
225mm Brushless DC Motorized Impeller

Features

- Size: 226mm Dia x 99mm height (8.9" x 3.9")
- Air Flow: 660 CFM
- Acoustic: 73.0 dBA
- Operating Voltage: 24 & 48 vdc
- Operating Temperature: -40°C to 70°C
- Storage Temperature: -50°C to 85°C
- Weight: 3.74 Lbs. (1.70 Kg)
- Reliable Ball Bearings
- 12" Leadwires, 20AWG, UL1061
- Recommended Inlet Ring: 564648



Performance



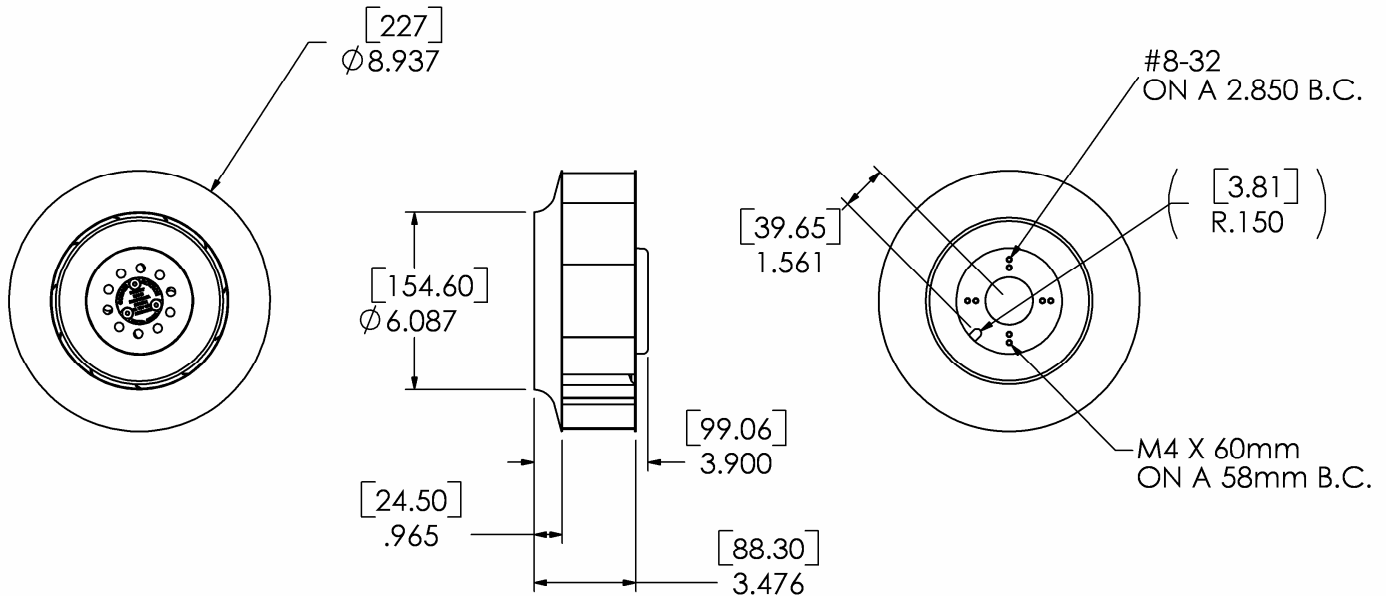
Specifications

Model No.	Voltage Nominal (VDC)	Power (watts)	Running Current (amps)	RPM	CFM	Static Pressure (in H ₂ O)	Noise (dBA)	Features
DD893924B	24	100.0	4.200	2450	660	1.73	74.0	TTL Tach
DD893948B	48	100.0	2.100	2450	660	1.73	74.0	TTL Tach



Diplomat® DD8939 Series

225mm Brushless DC Motorized Impeller



Motor

- Brushless Electronic Commutation
- Dependable Solid State Circuitry
- Dependable Ball Bearings
- 100% Electrically Tested
- Electronic Locked Rotor Protection
- Soft Start Inrush Current
- Automatic Reset Capability
- Polarity Protected

Construction

- Motor Base: Single Piece Diecast Aluminum

Available Options

- Tachometer Output
- Fan Performance Sensor Alarm (FPS)
- Enviroshield
- Harness Assemblies
- Thermal Speed Control
- Programmable Speed Control
- Voltage Regulation
- Inlet Ring
- Wide Operating Voltage Range



2675 Customhouse Court, San Diego, CA 92154
Ph (619) 661-6688 Fax (619) 661-1757
E-mail: sales@comairrotron.com

WWW.COMAIRROTRON.COM