

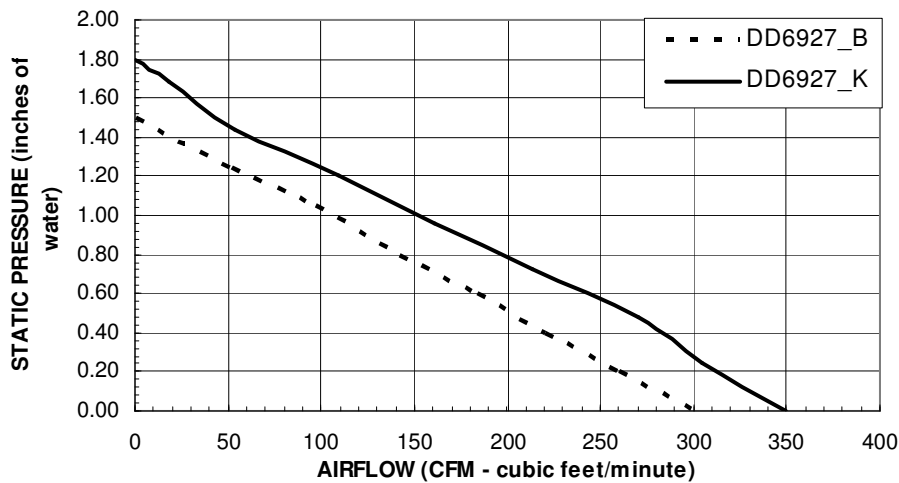
175mm Brushless DC Motorized Impeller

Features

- Size: 175mm Dia x 69mm height (6.9" x 2.7")
- Air Flow: 325 to 350 CFM
- Acoustic: 70.0 to 73 dBA
- Operating Voltage: 12, 24, & 48 vdc
- Operating Temperature: -40°C to 75°C
- Storage Temperature: -50°C to 85°C
- Weight: 2.3 lbs (1.0 Kg)
- Reliable Ball Bearings
- 12" Leadwires, 22AWG, UL1061
- Recommended Inlet Ring: 559115



Performance



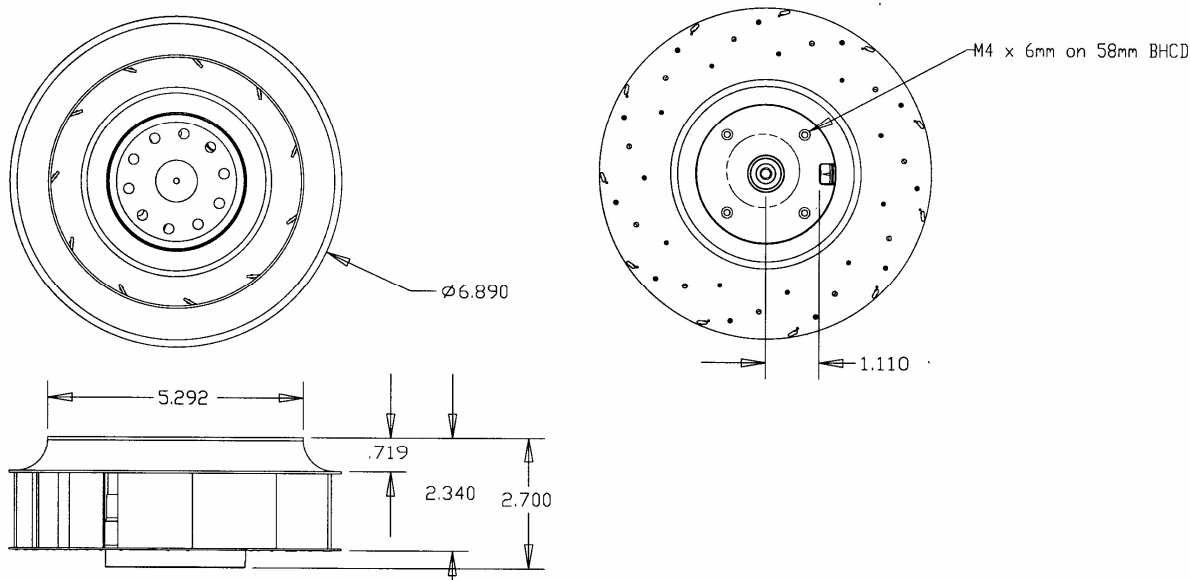
Specifications

Model No.	Voltage Nominal (VDC)	Power (watts)	Running Current (amps)	RPM	CFM	Static Pressure (in H ₂ O)	Noise (dBA)	Features
DD692712B	12	32.5	2.700	2848	300	1.500	69.0	TTL Tach
DD692724B	24	30.7	1.270	2848	300	1.500	69.0	TTL Tach
DD692748B	48	31.9	0.664	2848	300	1.500	69.0	TTL Tach
DD692712K	12	56.4	4.700	3100	350	1.800	69.0	TTL Tach
DD692724K	24	44.8	1.867	3100	350	1.800	69.0	TTL Tach
DD692748K	48	44.7	0.932	3100	350	1.800	69.0	TTL Tach



Diplomat® DD6927 Series

175mm Brushless DC Motorized Impeller



Motor

- Brushless Electronic Commutation
- Dependable Solid State Circuitry
- Dependable Ball Bearings
- 100% Electrically Tested
- Electronic Locked Rotor Protection
- Soft Start Inrush Current
- Automatic Reset Capability
- Polarity Protected

Construction

- Motor Base: Diecast Aluminum
- Impeller: Metal, Galvanized

Available Options

- Tachometer Output
- Fan Performance Sensor Alarm (FPS)
- Enviroshield
- Harness Assemblies
- Thermal Speed Control
- Programmable Speed Control
- Voltage Regulation
- Inlet Ring
- Wide Input Voltage Range



2675 Customhouse Court, San Diego, CA 92154
Ph (619) 661-6688 Fax (619) 661-1757
E-mail: sales@comairrotron.com

WWW.COMAIRROTRON.COM