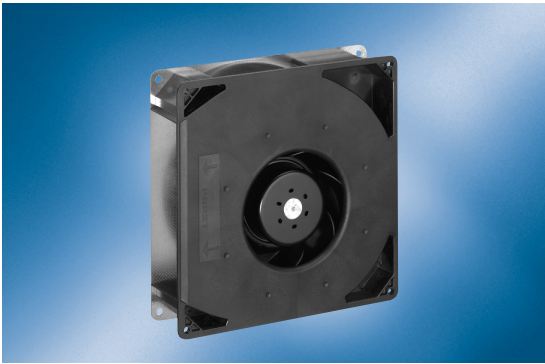


DC centrifugal fan

Series RG 160 NTD TURBOFAN 220 x 220 x 56 mm



- **General description:** Particularly powerful DC fan with 3-phase EC drive and completely integrated operating electronics. For speed control regardless of load, with highly intelligent motor management and with power and speed reserves that create brand-new areas of application

- **Impeller material:** Fiberglass-reinforced plastic

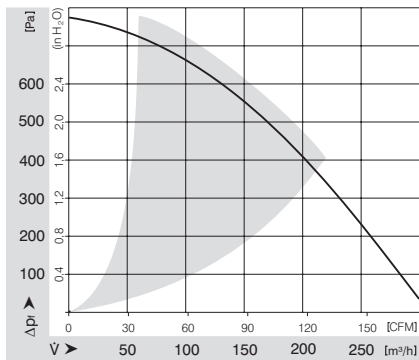
- **Housing material:** Spiral housing of fiberglass-reinforced plastic, housing base of galvanized sheet steel.

Nominal data

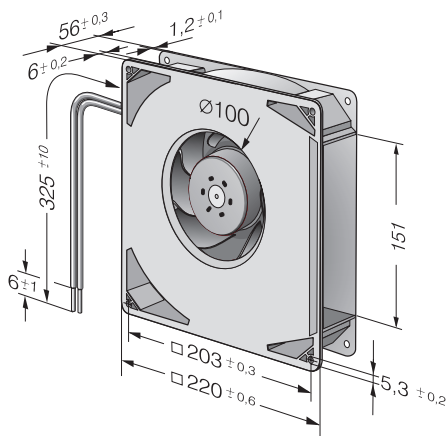
Type	Motor	Voltage VDC	Voltage range VDC	Air flow m ³ /h	Speed 1/min	Power consumption W	Sound level Bel	Ambient temperature °C	L10 service life at 40 °C h	Weight kg
RG 160-28/14 NTDA	--	24	16 - 28	308	4200	64.0	7.5	-20 .. 60	55000	1.400

Subject to modification The technical data specified here refer to benchmark values that can be realized.

Characteristic: Pressure over air flow



Specific drawing



DC centrifugal fan

Series RG 160 NTD TURBOFAN 220 x 220 x 56 mm

Technical description

- **General description:** Particularly powerful DC fan with 3-phase EC drive and completely integrated operating electronics. For speed control regardless of load, with highly intelligent motor management and with power and speed reserves that create brand-new areas of application
- **Housing material:** Spiral housing of fiberglass-reinforced plastic, housing base of galvanized sheet steel.
- **Direction of flow:** Centrifugal, air exhaust out of housing window
- **Approvals:** VDE, CSA, UL, CE
- **Impeller material:** Fiberglass-reinforced plastic
- **Bearings:** Ball bearings
- **Electrical connection:** 2 single strands AWG 22, TR 64

Contact

ebm-papst St. Georgen GmbH & Co. KG
Hermann-Papst-Straße 1
D-78112 St. Georgen
Phone +49 (0) 7724 / 81-0
Fax +49 (0) 7724 / 81-1309
info2@de.ebmpapst.com
www.ebmpapst.com