

RG130/0800-3612

# EC centrifugal fan

single inlet

with housing (small flange), Gas blower for gas-condensing heating



## ebm-papst Landshut GmbH

Hofmark-Aich-Straße 25

84030 Landshut

Phone: +49 871 707-0

Fax: +49 871 707-465

www.ebmpapst.com

info3@de.ebmpapst.com

## Nominal data

|                 |                      |      |
|-----------------|----------------------|------|
| Type            | RG130/0800-3612      |      |
| Nominal voltage | [VDC]                | 24   |
| Speed           | [min <sup>-1</sup> ] | 8000 |
| Power input     | [W]                  | 40   |
| Air flow        | [m <sup>3</sup> /h]  | 115  |

ml = max. load · me = max. efficiency · rfa = running at free air · cs = customer specs · cu = customer unit  
Subject to alterations

## Technical features

|                   |  |
|-------------------|--|
| Connection line   | A and C  |
| Design            | Vibration-free motor mount                         |
| Mounting position | To be specified for corresponding support elements |
| Bearing           | Ball bearings                                      |
| Mass              | 1.4 kg   |
| Housing material  | Die-cast aluminum                                  |
| Option            | Honeywell flange on request                        |

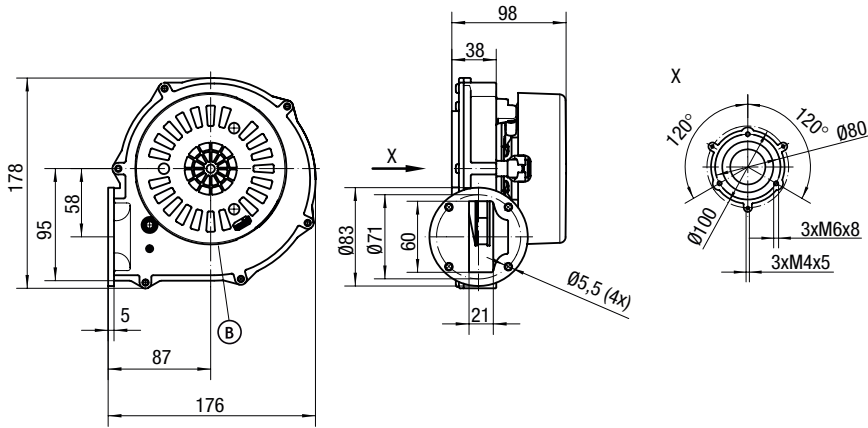
RG130/0800-3612

# EC centrifugal fan

single inlet

with housing (small flange), Gas blower for gas-condensing heating

## Product drawing

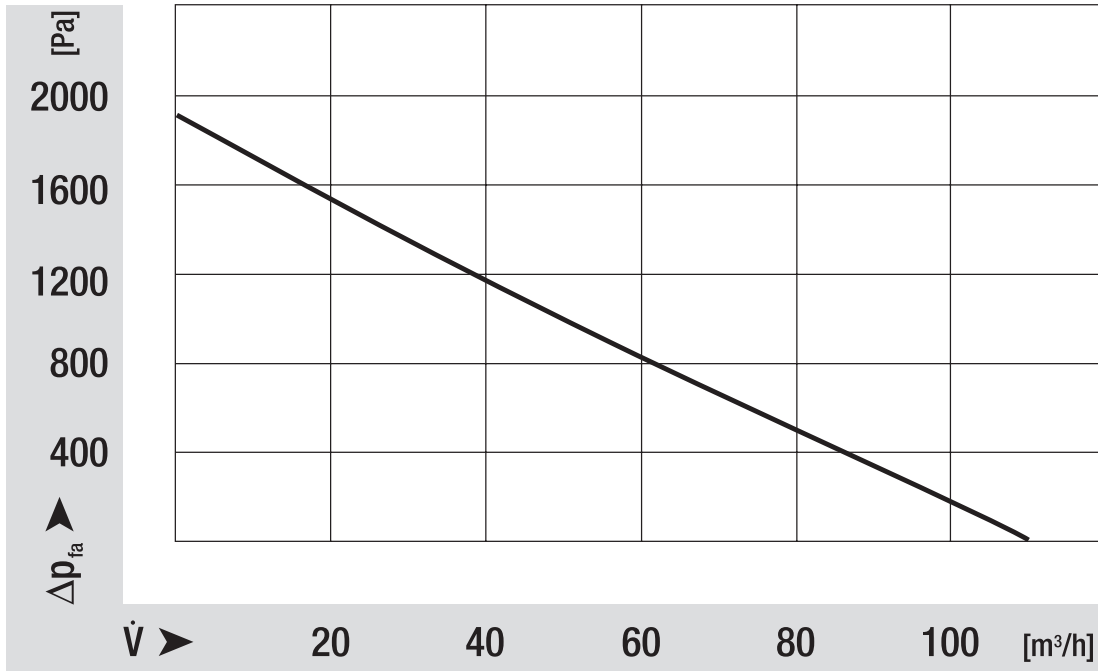


# EC centrifugal fan

single inlet

with housing (small flange), Gas blower for gas-condensing heating

## Charts: Air flow



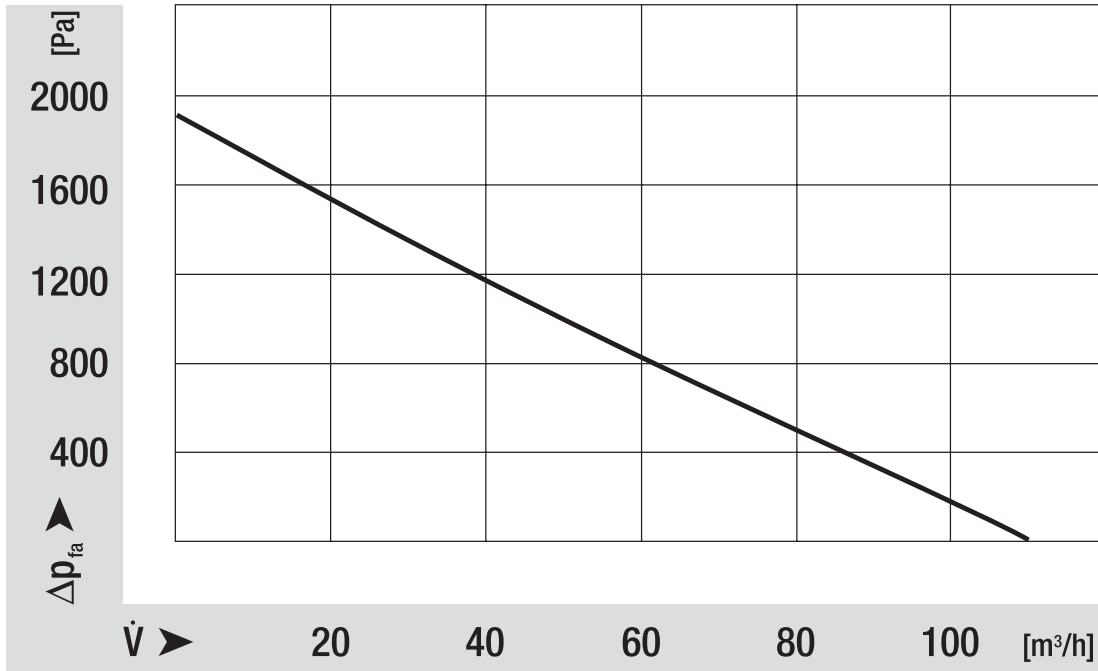
72  
60  
48  
36  
24  
12

# EC centrifugal fan

single inlet

with housing (small flange), Gas blower for gas-condensing heating

## Charts: Speed



72  
60  
48  
36  
24  
12