

Tangential blowers

with humidity protected bobbin



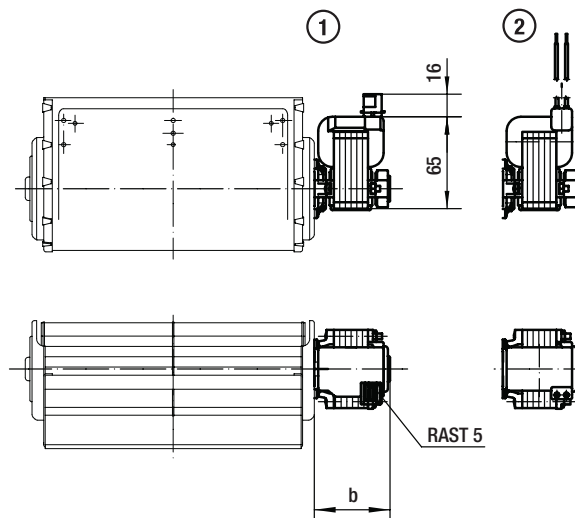
Special design for refrigeration.

- shaded pole motor, humidity protected with plastic-encapsulated coil
- electrical connection with leads or Rast-5 plug
- permissible ambient temperature $-40^{\circ} - +60^{\circ}\text{C}$

ebm-papst • Landshut

Nominal data		rated voltage	frequency	air flow	max. pressure increase	power input	speed	electrical connection	mass	Dimensions mm
motor right*	motor left	V	Hz	m ³ /h	Pa	W	min ⁻¹		kg	b
QL4/1000-2118	QL4/0010-2118	230	50	40	13	10	2550	②	0,5	57
QL4/1500-2118	QL4/0015-2118	230	50	55	13	10	2350	②	0,55	57
QL4/2000-2118	QL4/0020-2118	230	50	75	13	10	2150	②	0,65	57
QL4/2500-2118	QL4/0025-2118	230	50	85	12	10	1900	②	0,7	57
QL4/3000-2118	QL4/0030-2118	230	50	90	12	10	1700	②	0,75	57
QLK45/0600-2513	QLK45/0006-2513	230	50	36	55	15	2650	②	0,65	55
QLK45/1200-2513	QLK45/0012-2513	230	50	82	65	15	2300	②	0,9	66
QLK45/1800-2524	QLK45/0018-2524	230	50	120	65	27	2300	①②	1	66
QLK45/2400-2524	QLK45/0024-2524	230	50	140	65	27	2100	①②	1,15	66
QLK45/3000-2524	QLK45/0030-2524	230	50	160	60	27	1600	①②	1,35	66
QLK45/3600-2524	QLK45/0036-2524	230	50	175	60	27	1400	①②	1,5	66
QLZ06/1200-2524	QLZ06/0012-2524	230	50	115	70	24	2200	①②	0,95	58
QLZ06/1800-2524	QLZ06/0018-2524	230	50	130	65	24	1600	①②	1,1	58
QLZ06/2400-2524	QLZ06/0024-2524	230	50	145	62	24	1100	①②	1,2	58
QLN65/1200-2524	QLN65/0012-2524	230	50	130	60	24	2000	①②	1,05	54
QLN65/1800-2524	QLN65/0018-2524	230	50	140	60	24	1200	①②	1,2	54

*) Corresponding to dimensional drawing; subject to alterations



for blower Dimensions, see basic AC types