

G4E180-GS11-01

AC centrifugal fan with housing (large flange)

forward curved, single inlet



ebm-papst Mulfingen GmbH & Co. KG

Bachmühle 2

74673 Mulfingen

Phone: +49 7938 81-0

Fax: +49 7938 81-110

www.ebmpapst.com

info1@de.ebmpapst.com

Nominal data

Type	G4E180-GS11-01		
Motor	M4E074-DF		
Phase		1~	1~
Nominal voltage	[V]	230	230
Frequency	[Hz]	50	60
Type of data definition		rfa	ml
Valid for approval / standard		CE	CE
Speed	[min ⁻¹]	1130	1170
Power input	[W]	180	200
Current draw	[A]	0.8	0.88
Motor capacitor	[μF]	4	4
Capacitor voltage	[VDB]	400	400
Min. back pressure	[Pa]	0	50
Max. ambient temperature	[°C]	45	35
Air flow	[m ³ /h]	1030	910
Back pressure	[Pa]	0	50
Sound pressure level	[dB(A)]	66	64

ml = max. load · me = max. efficiency · rfa = running at free air · cs = customer specs · cu = customer unit
Subject to alterations

Technical features

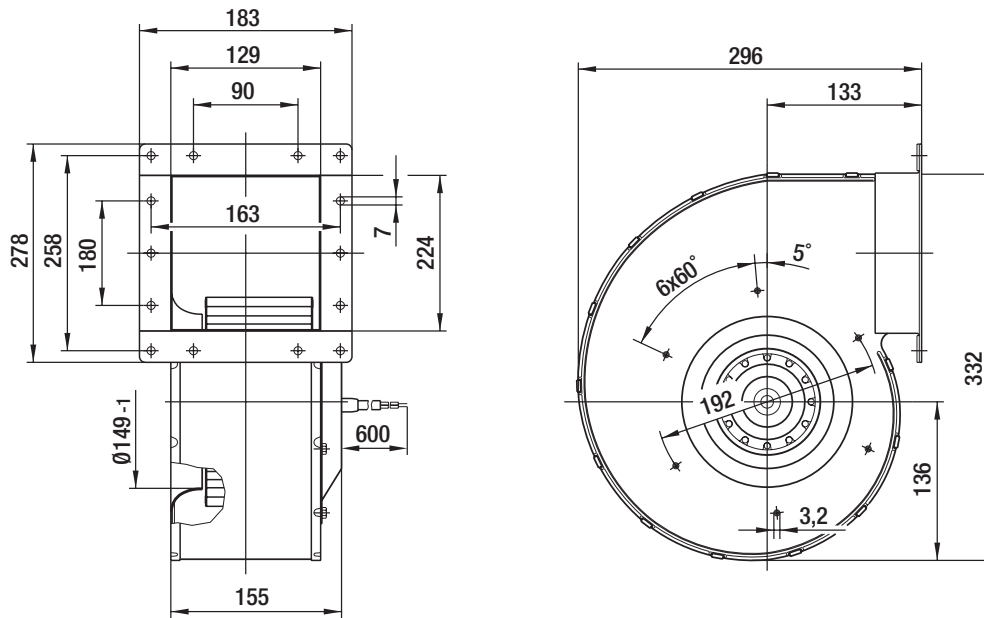
Leackage current	< 0,75 mA
Size	180 mm
Operation mode	S1
Direction of rotation	Clockwise, seen on rotor
Mounting position	Any
Insulation class	"B"
Cable exit	Axial
Condensate discharge holes	Rotor-side
Bearing motor	Ball bearing
Mass	6.1 kg
Housing material	Sheet steel, galvanized
Material of impeller	Sheet steel, galvanized
Motor protection	Thermal overload protector (TOP) wired internally
Product conforming to standard	CE; EN 60335-1
Surface of rotor	Coated in black
Type of protection	IP 44 - depending on position
Protection class	I
Max. permissible ambient motor temp. (transp./ storage)	+ 80 °C
Min. permissible ambient motor temp. (transp./storage)	- 40 °C
Approval	CCC

G4E180-GS11-01

AC centrifugal fan with housing (large flange)

forward curved, single inlet

Product drawing

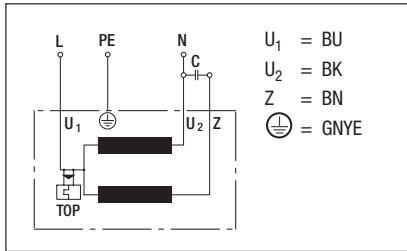


G4E180-GS11-01

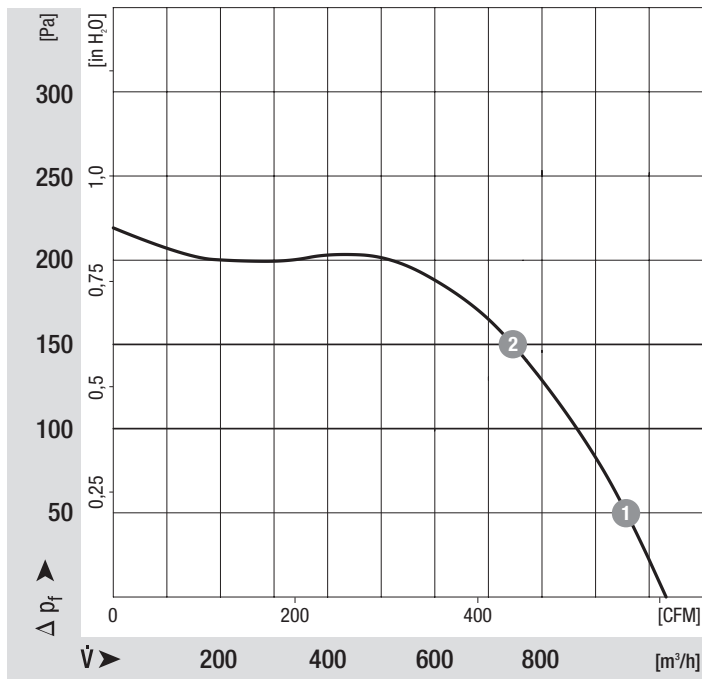
AC centrifugal fan with housing (large flange)

forward curved, single inlet

Connection screen



Charts: Air flow 50 Hz



Measured values

	n	P ₁	I
	[min ⁻¹]	[W]	[A]
1	1210	160	0.71
2	1340	123	0.55

Charts: Air flow 60 Hz

