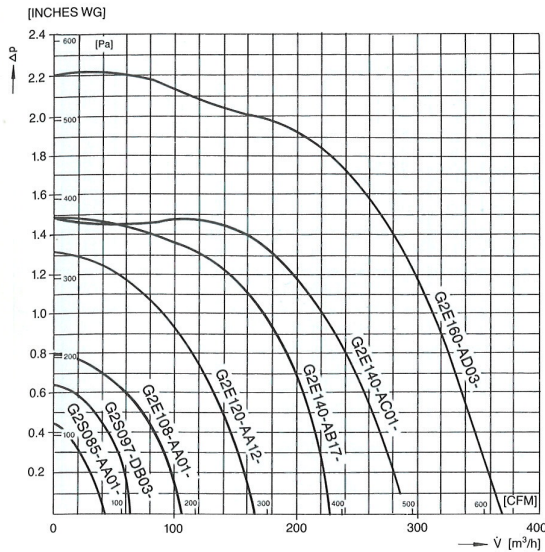


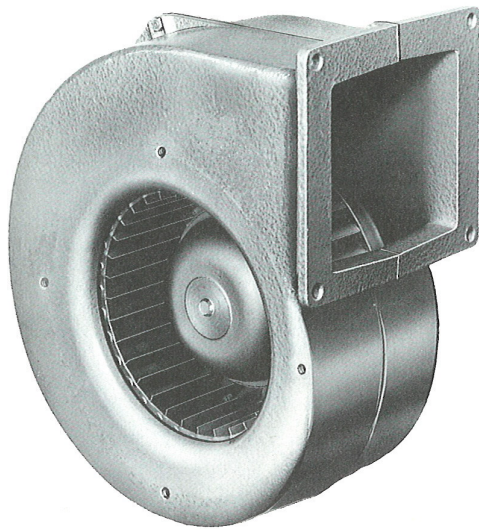
SINGLE INLET BLOWERS



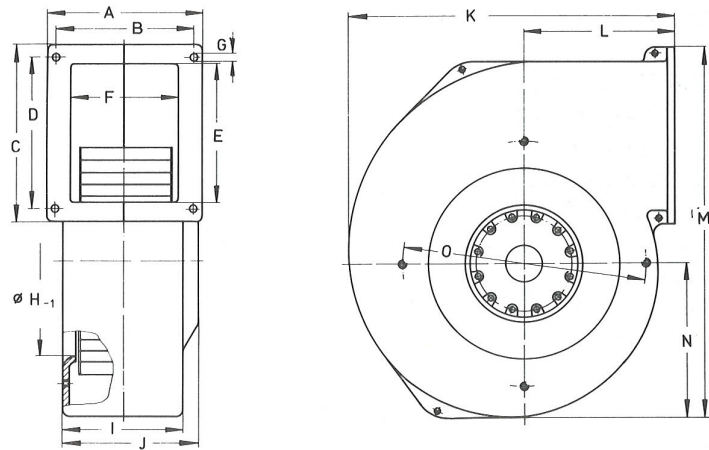
Technical data

| TYPE | Voltage (V) | Frequency (Hz) | Speed (rpm) | Motor Watts | Current (A) | Capacitor (MF) | Noise Level (dB A) | bearing ball (b) sleeve (s) | max. ambient temp. (°C) | Weight (kg) |
|------------------|-------------|----------------|-------------|-------------|-------------|----------------|--------------------|-----------------------------|-------------------------|-------------|
| G2S 085-AA01-50 | 240 | 50 | 1800 | 30 | 0.14 | — | 48 | b | 60 | 0.75 |
| G2S 097-DB03-50 | 240 | 50 | 1700 | 30 | 0.16 | — | 42 | b | 45 | 0.8 |
| G2E 108-AA01-50 | 240 | 50 | 1700 | 45 | 0.18 | 1.5 | 52 | b | 60 | 1.3 |
| G2E 120-AA12-50 | 240 | 50 | 2380 | 80 | 0.35 | 2.0 | 60 | b | 60 | 2.0 |
| G2E 140-AB17-50 | 240 | 50 | 1400 | 120 | 0.52 | 2.0 | 58 | b | 55 | 3.0 |
| *G2E 140-AC01-50 | 240 | 50 | 2200 | 180 | 0.76 | 4.0 | 67 | b | 65 | 3.4 |
| G2E 160-AD03-50 | 240 | 50 | 2250 | 270 | 1.15 | 5.0 | 72 | b | 40 | 4.0 |

* Fan operates from minimum 0.08" WG



Dimensions in millimetres



Inlet guards available as accessories.

| TYPE | A | B | C | D | E | F | G | H | I | J | K | L | M | N | O |
|-----------------|-----|-----|-----|-----|----|----|-----|-----|-----|----|-----|-----|-----|-----|-----|
| G2S 085-AA01-50 | 76 | 66 | 68 | 58 | 42 | 56 | 5.5 | 65 | 60 | 80 | 117 | 60 | 127 | 54 | 84 |
| G2S 097-DB08-50 | * | * | * | * | 46 | 40 | — | 80 | 40 | — | 143 | 75 | 137 | 62 | 96 |
| G2E 108-AA01-50 | 115 | 97 | 83 | 66 | 50 | 76 | 8.0 | 87 | 82 | — | 159 | 79 | 183 | 71 | 118 |
| G2E 120-AA12-50 | 115 | 100 | 83 | 68 | 50 | 76 | 7.0 | 100 | 82 | 98 | 174 | 82 | 190 | 82 | 132 |
| G2E 140-AB17-50 | 130 | 115 | 120 | 105 | 92 | 94 | 6.3 | 118 | 100 | — | 226 | 103 | 261 | 107 | 158 |
| G2E 140-AC01-50 | 130 | 115 | 120 | 105 | 92 | 94 | 6.3 | 118 | 100 | — | 226 | 103 | 261 | 107 | 158 |
| G2E 160-AD03-50 | 130 | 115 | 120 | 105 | 92 | 94 | 6.3 | 130 | 100 | — | 226 | 103 | 261 | 107 | 175 |

* This fan has no discharge flange.