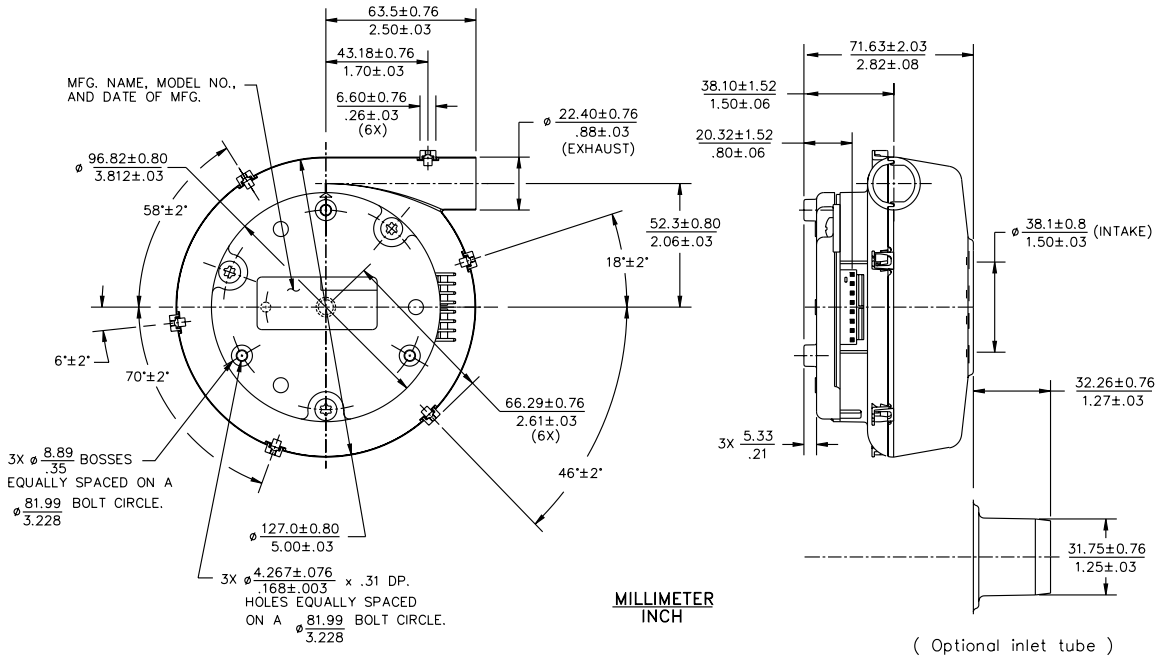


Tech Bulletin

5.0" (127mm) BLDC Low-Voltage Blower

12/24 VDC



Blower Data	Unit Measure	Part Number					
		Standard Flow				High Output	
		119380 (150017)*	119381 (M)* 119382 (E)*	119383 (150016)*	119384 (M)* 119385 (E)*	119375	119378 (M)* 119379 (E)*
Voltage Input	VDC	12	12	24	24	24	24
Stages		1	1	1	1	1	1
Pressure, Max. (Sealed Pressure)	in. H ₂ O	12	12	12	12	24	24
	mBar	30	30	30	30	60	60
Flow Rate, Max. (Open Flow)	CFM	34	34	34	34	45	45
	L/sec	16	16	16	16	21	21
Drive Electronics	Internal or External	External	Internal	External	Internal	External	Internal

Typical Performance Points

Air Flow	Pressure	119380 (150017)*	119381 (M)* 119382 (E)*	119383 (150016)*	119384 (M)* 119385 (E)*	119375	119378 (M)* 119379 (E)*
0 CFM	in. H ₂ O	12.5	12.5	12.5	12.5	24.3	24.3
10 CFM	in. H ₂ O	11.7	11.7	11.7	11.7	22.0	22.0
20 CFM	in. H ₂ O	7.6	7.6	7.6	7.6	18.4	18.4
30 CFM	in. H ₂ O	2.3	2.3	2.3	2.3	10.8	10.8
40 CFM	in. H ₂ O					3.5	3.5

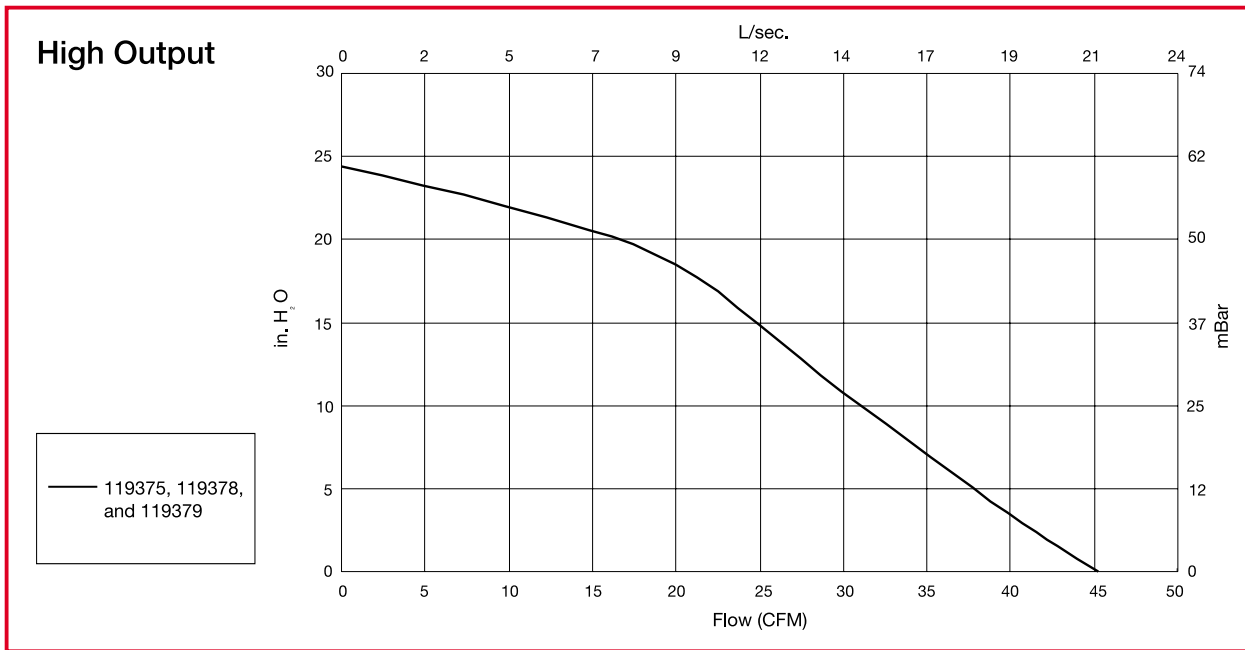
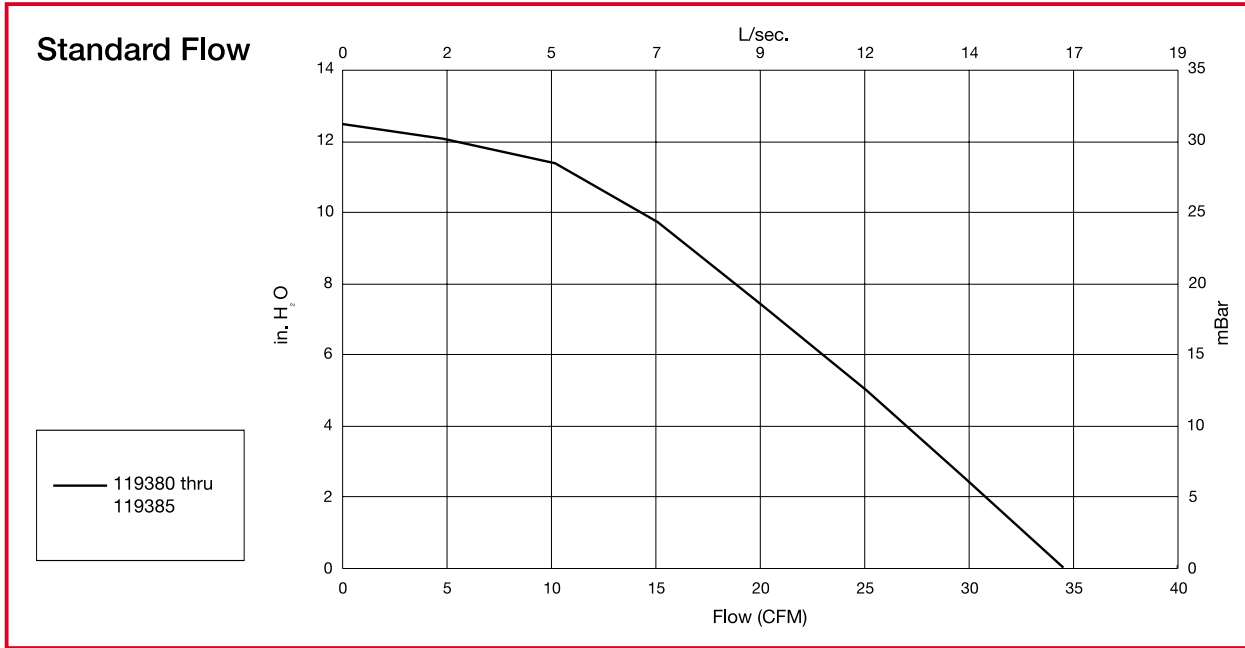
* These part numbers are available through AMETEK Rotron distributors. (Models 150017 and 150016 have slight dimensional changes. Consult AMETEK Marketing and Sales for additional information on these part numbers.)

NOTES:

- **Temperature:** Working Air: 0°C to 45°C, Ambient Air: 0°C to 45°C, Storage Air: -40°C to 85°C
- **Dielectric Testing:** 500 volts AC RMS 60Hz applied for one second between input pins and ground, one milliamps leakage max.
- **Speed Control:** Internal - E (Electrical): Pulse Width Modulated or Analog input voltage (User Supplied), 0 to 5 Volts DC Nominal
M (Mechanical): A potentiometer is available for speed control of the blower. The potentiometer can be preset for a specific speed.
External - These blowers require a 3 phase electronic commutated input to operate. A separate blower controller provides this input and speed control. Refer to the controller section (page 84) of this catalog for additional information.
- **Optional fan cover shell with molded air inlet tube available (see above drawing)**

5.0" (127mm) BLDC Low-Voltage Blower

12/24 VDC



This document is for informational purposes only and should not be considered as a binding description of the products or their performance in all applications. The performance data on this page depicts typical performance under controlled laboratory conditions, data is corrected to 0.075 lb./ft³ air density (29.92" Hg @ 70° F.). Actual performance will vary depending on the operating environment and application. AMETEK Rotron products are not designed for use with volatile, hazardous or corrosive gases. Blower housings are not sealed, slight air/gas leakage will occur. AMETEK Rotron products are not designed for and should not be used in medical life support applications. AMETEK reserves the right to revise its products without notification. The above characteristics represent standard products. For product designed to meet specific applications contact AMETEK Rotron Marketing and Sales.