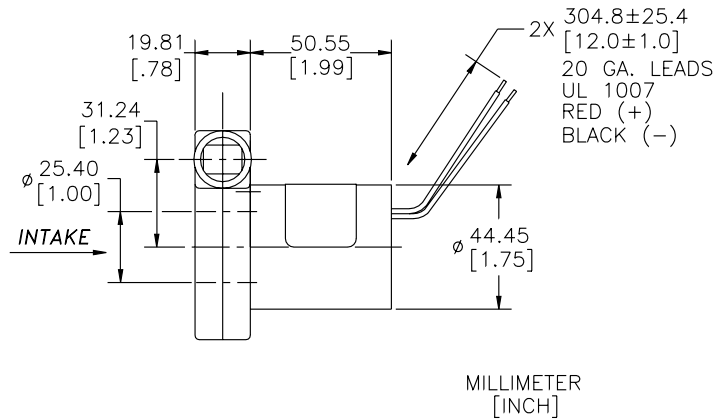
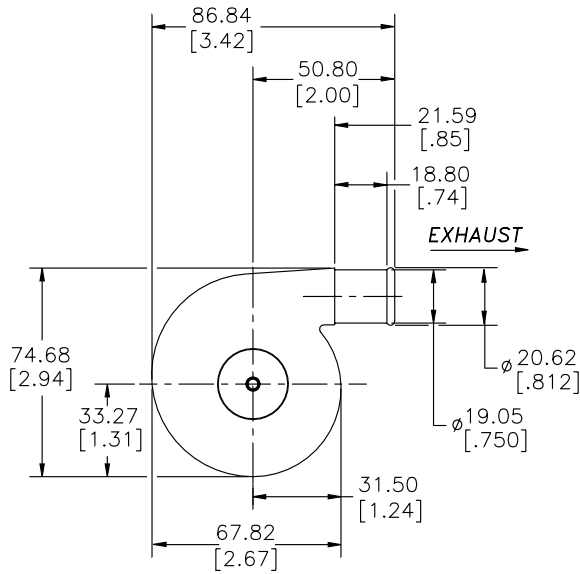


# Tech Bulletin

## 3.0" (76mm) BLDC Low-Voltage Blower

12/24 VDC



Blower Data	Unit of Measure	Part Number	
		119349*	119350*
Voltage Input	VDC	12	24
Stages		1	1
Pressure, Max. (Sealed Pressure)	in. H <sub>2</sub> O, Sealed	10	10
	mBar	24.9	24.9
Flow Rate, Max. (Open Flow)	CFM	18	18
	L/sec	8.5	8.5

### Typical Performance Points

Air Flow	Pressure		
0 CFM	in. H <sub>2</sub> O	10	10
4 CFM	in. H <sub>2</sub> O	9.1	9.1
8 CFM	in. H <sub>2</sub> O	7.6	7.6
12 CFM	in. H <sub>2</sub> O	5.4	5.4
16 CFM	in. H <sub>2</sub> O	2.4	2.4
18 CFM	in. H <sub>2</sub> O	0	0

\*These part numbers are available through AMETEK Rotron distributors.

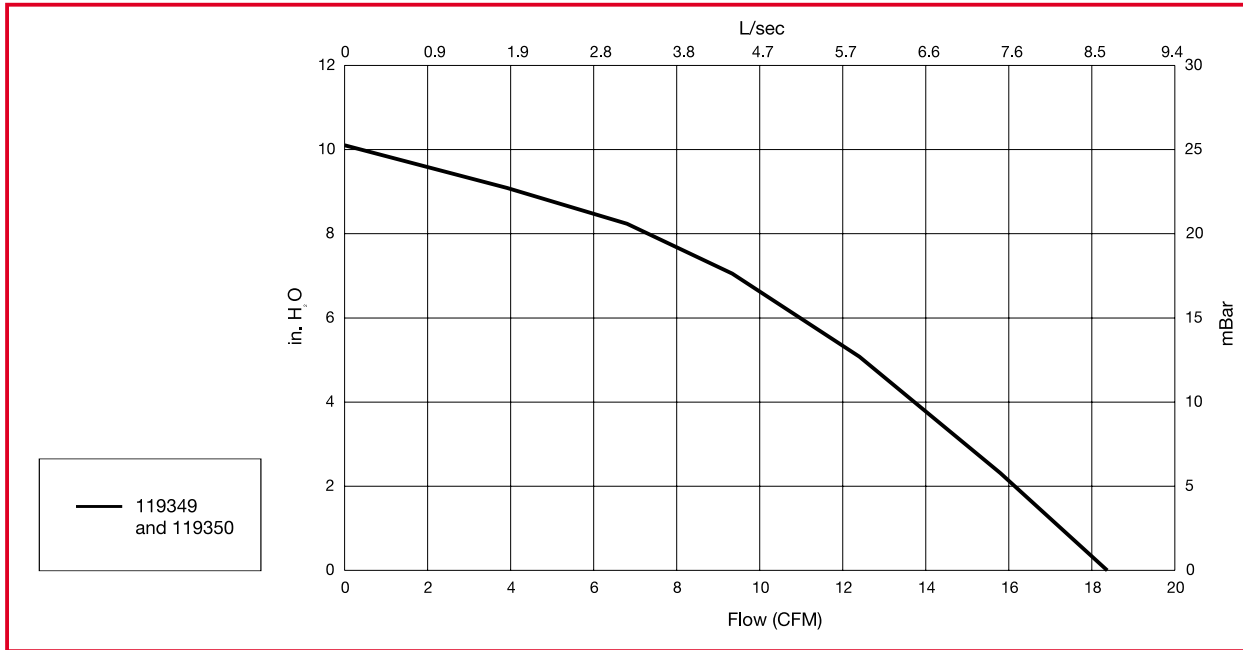
#### NOTES:

- **Temperature:** Working Air: 0°C to 45°C, Ambient Air: 0°C to 45°C, Storage Air: -40°C to 85°C
- **Dielectric Testing:** 200 volts applied for one second between power leads and motor body, one milliamp leakage max.
- **Speed Control:** Speed is controlled by input voltage.

**3.0" (76mm) BLDC Low-Voltage Blower**

**12/24 VDC**

LOW-VOLTAGE BLOWERS



This document is for informational purposes only and should not be considered as a binding description of the products or their performance in all applications. The performance data on this page depicts typical performance under controlled laboratory conditions, data is corrected to 0.075 lb./ft<sup>3</sup> air density (29.92" Hg @ 70° F.). Actual performance will vary depending on the operating environment and application. AMETEK Rotron products are not designed for use with volatile, hazardous or corrosive gases. Blower housings are not sealed, slight air/gas leakage will occur. AMETEK Rotron products are not designed for and should not be used in medical life support applications. AMETEK reserves the right to revise its products without notification. The above characteristics represent standard products. For product designed to meet specific applications contact AMETEK Rotron Marketing and Sales.