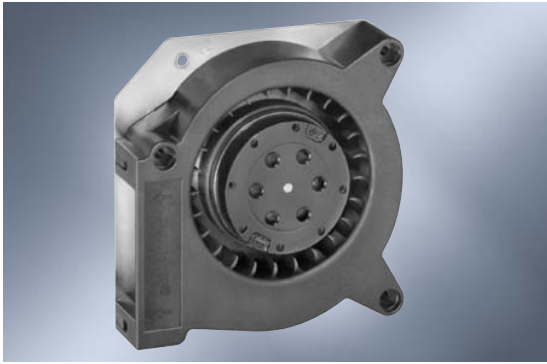


AC Radial Fans

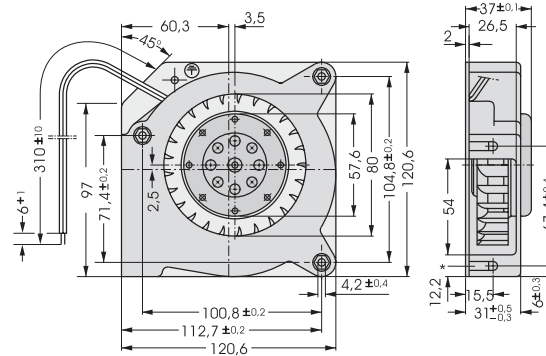
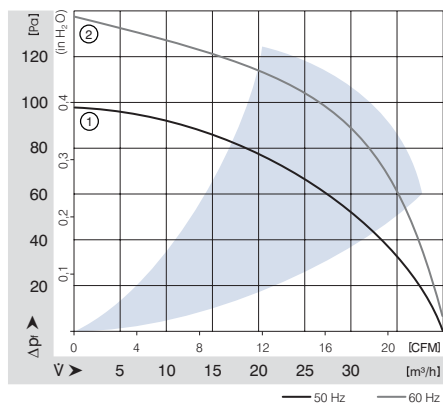
Series RL 90 121 x 121 x 37 mm



- AC radial blower with external rotor shaded-pole motor. Impedance protected against overloading.
- Spiral housing and blower wheel of fibreglass-reinforced plastic. Housing base of galvanised steel plate.
- Air exhaust radial, through housing port. Rotational direction CW looking at rotor.
- Electrical connection via 2 leads. Stripped and tinned ends.
- Mass: 680 g.

Nominal Data	Air Flow		Nominal Voltage	Frequency	Noise	Sinter-Sleeve Bearings Ball Bearings	Power Input	Nominal Speed	Temperature Range	Service Life L ₁₀		Curve
	m ³ /h	CFM								Hours	at T _{max}	
Type	m ³ /h	CFM	V	Hz	Bel	□/■	Watt	min ⁻¹	°C	Hours	Hours	
RL 90-18/50	40	23.5	230	50	5.6	□	20.0	2 450	-10...+50	37 500 / 30 000		1
RL 90-18/56	40	23.5	230	50	5.6	■	20.0	2 450	-30...+70	37 500 / 20 000		1
RL 90-18/00	42	24.7	115	60	6.0	□	19.5	2 550	-10...+60	37 500 / 25 000		2
RL 90-18/06	42	24.7	115	60	6.0	■	19.5	2 550	-30...+85	37 500 / 15 000		2

Fan Type		Lead Wires
RL 90-18/50	RL 90-18/00	AWG 18, TR 32
RL 90-18/56	RL 90-18/06	AWG 22



*Speed nut M4 or 8-32UNC. Screw-in depth max.12.5 min 9,0