

# FAL6F (110<sup>□</sup> x 28.1<sup>L</sup>)



EMINEBEA.COM

## General Specifications

### Allowable Ambient Temperature Range:

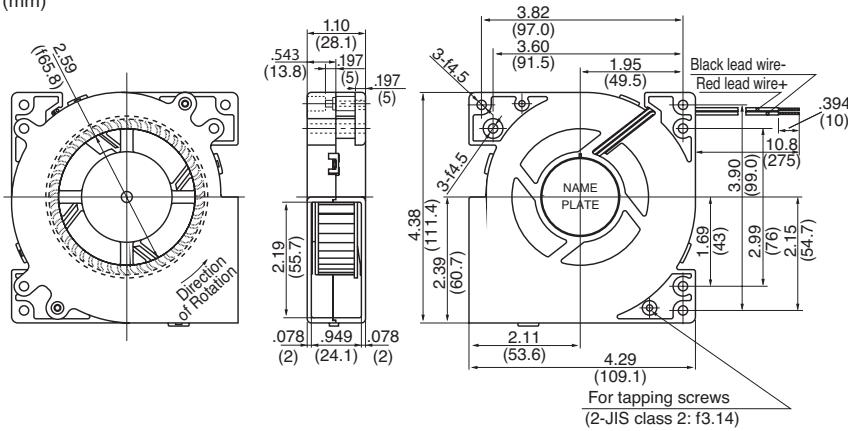
- 10°C ~ +60°C (65% RH) (Operating)
- 40°C ~ +75°C (65% RH) (Storage)
- (non-condensing environment)

## Expected Life

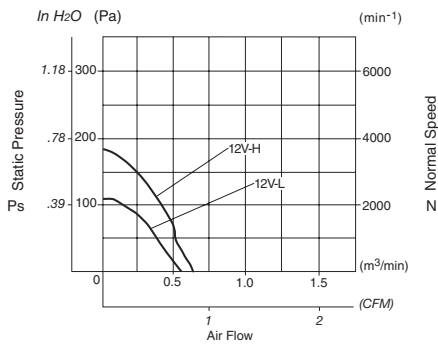
- Failure Rate: 10%
- 30,000 Hours (25°C, 65%RH)

## Outline

Units:  $\frac{\text{inch}}{\text{mm}}$



## Characteristic Curves



## Material

Bearing: Hydro Wave Bearing

## Specifications

MODEL	Rated Voltage	Operating Voltage	Current	Input Power	Rated Speed	Max. Air Flow		Max. Static Pressure		Noise	Mass
	(V)	(V)	(A) <sup>*1</sup>	(W) <sup>*1</sup>	(min <sup>-1</sup> ) <sup>*1</sup>	CFM <sup>*1</sup>	(m <sup>3</sup> /min) <sup>*1</sup>	in H <sub>2</sub> O	(Pa) <sup>*1</sup>	(dB) <sup>*1</sup>	(g)
FAL6F 12LL	12	7.0 ~ 13.8	280	3.36	2100	18.7	0.53	.44	110.3	40.0	250
FAL6F 12LH	12	7.0 ~ 13.8	500	6.00	2550	23.0	0.65	.70	176.5	45.0	250
FAL6F 24LL	24	14.0 ~ 27.6	155	3.72	2100	18.7	0.53	.45	112.8	40.0	250
FAL6F 24LH	24	14.0 ~ 27.6	295	7.08	2550	23.7	0.67	.77	193.2	45.0	250

Rotation: Clockwise

Airflow Outlet: Air Out Over Struts

\*1: Average Values in Free Air