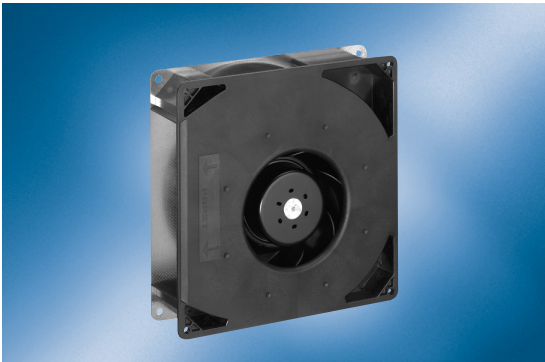


# DC centrifugal fans

Series RG 160 NTD 220 x 220 x 56



- **General description:** Particularly powerful DC fan with 3-phase EC drive and completely integrated operating electronics. For speed control regardless of load, with highly intelligent motor management and with power and speed reserves that create brand-new areas of application Speed control using control voltage.

- **Impeller material:** Fiberglass-reinforced plastic

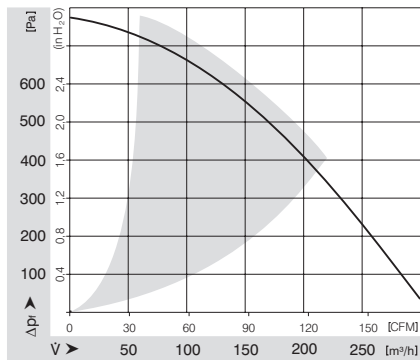
- **Housing material:** Spiral housing of fiberglass-reinforced plastic, housing base of galvanized sheet steel.

## Nominal data

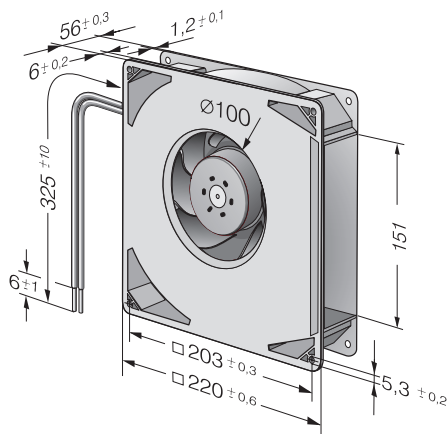
Type	Motor	Voltage VDC	Voltage range VDC	Air flow m <sup>3</sup> /h	Speed 1/min	Power consumption W	Sound level Bel	Ambient temperature °C	L10 service life at 40 °C h	Weight kg
RG 160-28/14 NTD	--	24	16 - 28	308	4200	64.0	7.5	-20 .. 60	55000	1.400

Subject to modification

## Characteristic: Pressure over air flow



## Specific drawing



# DC centrifugal fans

Series RG 160 NTD 220 x 220 x 56

## Technical description

- **General description:** Particularly powerful DC fan with 3-phase EC drive and completely integrated operating electronics. For speed control regardless of load, with highly intelligent motor management and with power and speed reserves that create brand-new areas of application. Speed control using control voltage.
- **Housing material:** Spiral housing of fiberglass-reinforced plastic, housing base of galvanized sheet steel.
- **Direction of air flow:** Centrifugal, air exhaust out of housing window
- **Approvals:** VDE, CSA, UL
- **Impeller material:** Fiberglass-reinforced plastic
- **Bearings:** Ball bearings
- **Electrical connection:** 2 single strands AWG 22, TR 64

## Contact

ebm-papst St. Georgen GmbH & Co. KG  
Hermann-Papst-Straße 1  
D-78112 St. Georgen  
Phone +49 (0) 7724 / 81-0  
Fax +49 (0) 7724 / 81-1309  
info2@de.ebmpapst.com  
www.ebmpapst.com