

RG160DC Series

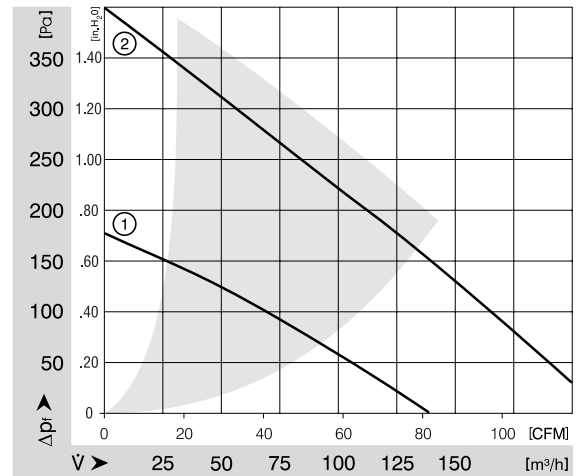
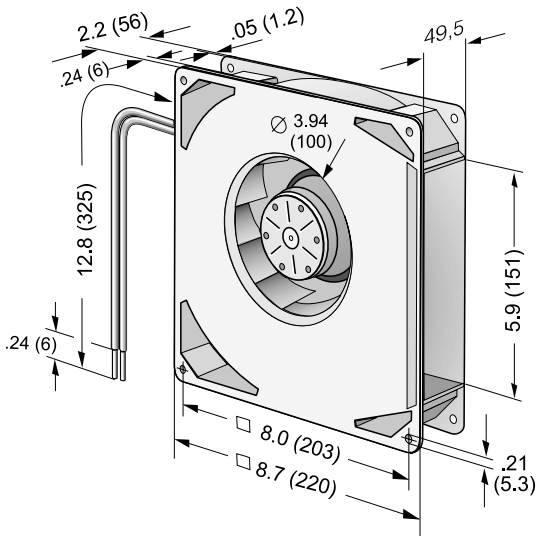
Flatpak



220x220x56mm

- DC radial blower with electronically commutated external rotor motor. Fully integrated commutation electronics.
- With electronic protection against reverse polarity, blocking and overloading.
- Spiral housing and blower of fiberglass reinforced plastic. Housing base of galvanised steel plate.
- Radial air exhaust through housing port.
- Electrical connection via 2 leads AWG 22, TR 64. Stripped and tinned ends.
- UL, CSA, VDE approvals on some models, please contact application engineering.

Part Number	Curve	CFM @ 0	VDC	Volt. Range	Power (W)	dBA	Max. Amb. Temp C	Bearing Type	Features	Wgt. (lbs)
RG160-28/12NM	1	81.8	12	7 to 14	7.5	56	70	Ball	Leads	3.09
RG160-28/12N	2	123.0	12	7.5 to 14	21.0	66	70	Ball	Leads	3.09
RG160-28/14NM	1	81.8	24	12 to 28	7.0	56	70	Ball	Leads	3.09
RG160-28/14N	2	123.0	24	12 to 28	20.0	66	70	Ball	Leads	3.09
RG160-28/18N	2	123.0	48	28 to 60	20.0	66	70	Ball	Leads	3.09



ebmpapst

e-mail: sales@us.ebmpapst.com · TEL: 860-674-1515 · FAX: 860-674-8536

ebm-papst Inc., 100 Hyde Road, Farmington, CT 06034 USA

ebm-papst Inc., 2006 © ebm-papst Inc. reserves the right to change any specifications or data without notice