

389 4289 → 389 4484

RPP 2U Height Power Distribution Units are designed for use in 19" Data Cabinets

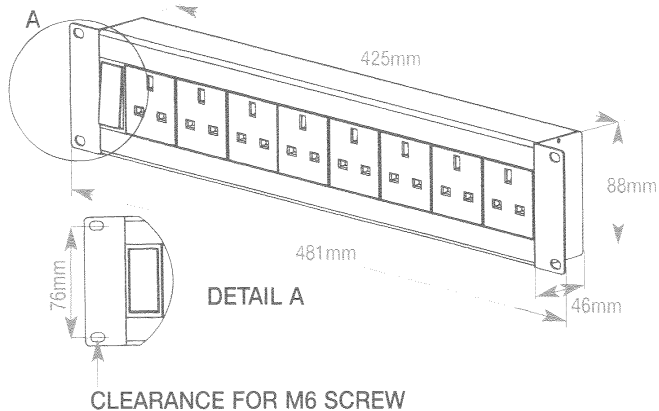
230V a.c. only  
13amp max  
Plug and sockets to BS1363  
Fuses to BS1362

X2U4	2U 4 WAY UNSWITCHED
X2U5	2U 5 WAY UNSWITCHED
X2U6	2U 6 WAY UNSWITCHED
X2U7	2U 7 WAY UNSWITCHED
X2U8	2U 8 WAY UNSWITCHED
X2U4S	2U 4 WAY SWITCHED
X2U5S	2U 5 WAY SWITCHED
X2U6S	2U 6 WAY SWITCHED
X2U7S	2U 7 WAY SWITCHED
X2U8S	2U 8 WAY SWITCHED

Replace "S" with "N" if a neon indicator only is required

X2U4F	2U 4 WAY UNSWITCHED + FILTER
X2U5F	2U 5 WAY UNSWITCHED + FILTER
X2U6F	2U 6 WAY UNSWITCHED + FILTER
X2U4SF	2U 4 WAY SWITCHED + FILTER
X2U5SF	2U 5 WAY SWITCHED + FILTER
X2U6SF	2U 6 WAY SWITCHED + FILTER

For Black versions, suffix '-BK' eg. X2U8S-BK



### International Sockets

- For Schuko sockets suffix SCH (e.g. X2U4/SCH)
- For French/Belgian sockets suffix FRE (e.g. X2U4/FRE)
- For American socket suffix USA (e.g. X2U4/USA)
- For IEC 320 sockets suffix IEC (e.g. X2U4/IEC)
- Switched versions fitted with a 16 amp double pole illuminated switch

### Filter Technical Data

- Operating Voltage up to 250V at max 400HZ
- Rated current 10 amps @ 40°C, 11.5 amps @ 25°C
- Leakage current @ 220V 50HZ max. 2 x 0.2mA
- The filters are fitted with ZNR voltage Transients and Earthline choke.

### Standard Spec. Z280G

- Max Cont. Volts AC RMS @ 25°C.....320
- Max Cont. Volts DC @ 25°C.....416
- Varistor V Min @ 1mA.....450
- Energy Joules 10/1000 amps.....140
- Clamping Volt @ 100 amps.....825
- m Watts Cont.....800
- Polycarbonate accessories in an aluminium body - a robust combination.
- 2 metre fitted plug and lead set as standard. Other lengths can be supplied.

For further information or our comprehensive accessory brochure please contact RPP Sales.



RPP, Pipers Road, Park Farm Industrial Estate,  
Redditch, Worcestershire, United Kingdom B98 0HU  
Telephone: 0044 (0)1527 528024  
Fax: 0044 (0)1527 520236



Colours are reproduced as accurately as photographic and printing processes allow and may not exactly match the actual products.  
The manufacturer reserves the right to alter design or specification without prior notice.



# 19" 2U Height



# Power Distribution Units



- British, Schuko, French / Belgian, American, IEC and Non-Standard units available.
- Manufactured in the UK to British Standards and ISO 9001 Quality Systems and CE marked.
- Powder coated aluminium bodies with durable polycarbonate accessories.
- With or without 16 amp illuminated double pole switch and a choice of 2, 3 or 6 metre plug and leads.

**Unique  
Design**

The only 2U PDU that accomodates eight UK socket ways in a 19" rack.

