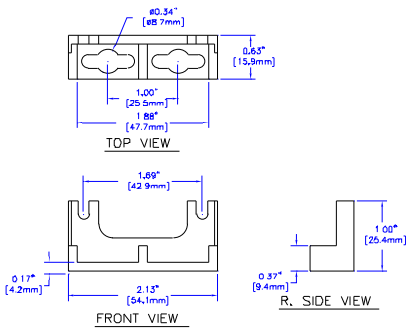
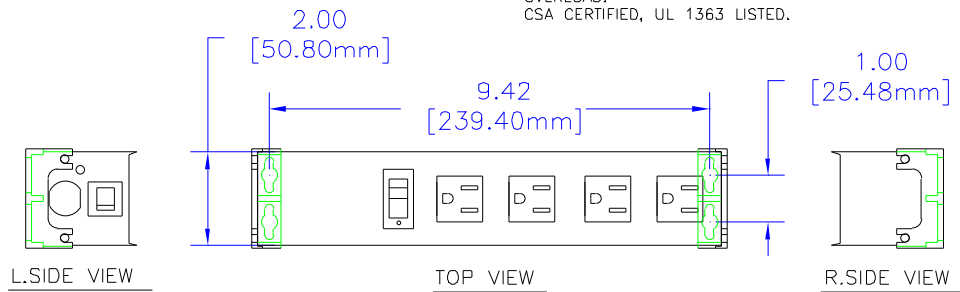
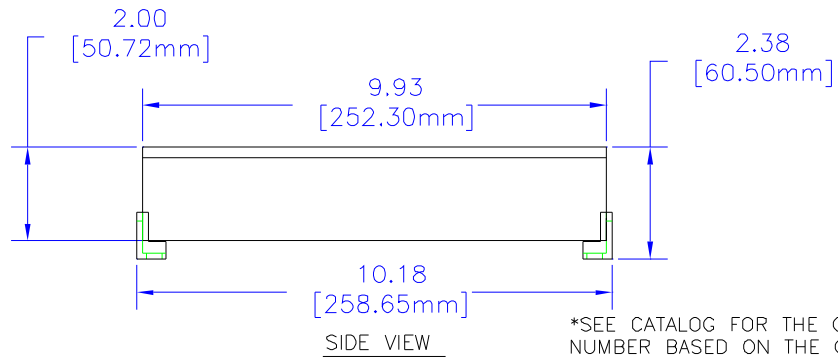


NOTES

BUILT TO MEET THE REQUIREMENTS OF INDUSTRIAL AND COMMERCIAL USE. ALL METAL HOUSING—TOUGH EXTRUDED ALUMINUM CASE WITH BLACK POWDER-COATED STEEL COVER.
 HEAVY-DUTY CORD - 14/3 SJTW WIRE FOR EXTREME TEMPERATURE RANGES.
 INTEGRAL MOLDED PLUG AVAILABLE IN STRAIGHT-BLADE (NEMA 5-15P) OR TWIST-LOCK (NEMA L5-15P) CONFIGURATIONS.
 SEPARATE MOUNTING FEET WITH KEYHOLE SLOTS PROVIDE FOR WORK STATION MOUNTING IF DESIRED.
 COMES WITH LIGHTED ON/OFF SWITCH.
 INCLUDES 15A, 125VAC CIRCUIT BREAKER TO PREVENT ACCIDENTAL LINE OVERLOAD.
 CSA CERTIFIED, UL 1363 LISTED.



MOUNTING FEET DETAIL



*SEE CATALOG FOR THE COMPLETE PART NUMBER BASED ON THE OPTIONS LISTED IN THE NOTE SECTION

UNLESS OTHERWISE SPECIFIED
 DIMENSIONS ARE IN INCHES
 .X +/- .1
 .XX +/- .02
 .XXX +/- .015
 .XXXX +/- .005
 ANGLES +/- .5 DEG.
 SURF. FINISH
 UNLESS OTHERWISE SPECIFIED
 INTENDED TO BE USED AS A REFERENCE FOR
 DIMENSIONS INDICATED BY .509
 INFORMATION MAY NOT BE USED TO
 MANUFACTURE, REPAIR, OR MAINTAIN
 PERFORM FROM HAMMOND MANUFACTURING



HAMMOND
 MANUFACTURING

WEB: WWW.HAMMONDMFG.COM

TITLE
 HAMMOND INDUSTRIAL
 GRADE POWER STRIPS
 DRAWN BY MJM DATE 02/09/01
 SCALE PAGE 1 OF 1
 PART NUMBER
 1584H4****