

# R2E133 Series

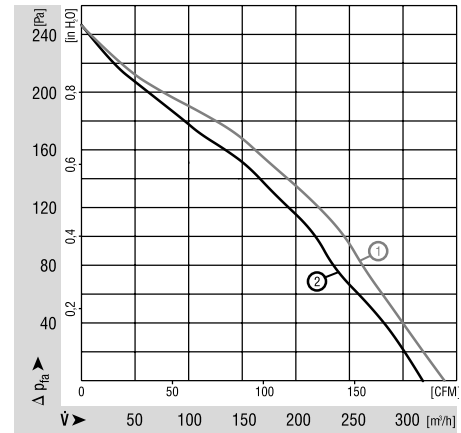
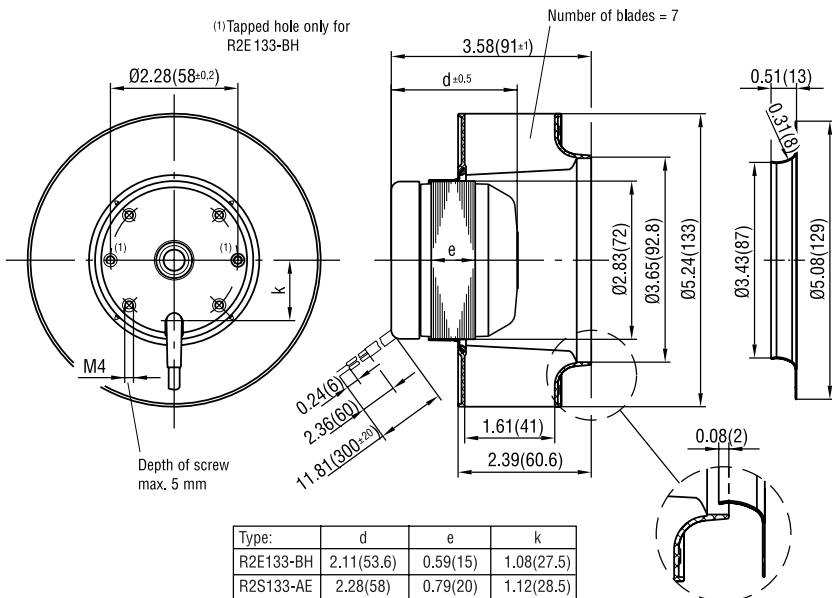
Motorized Impeller

## Ø 133mm Backward Curved



- Backward curved centrifugal fans feature extremely long blades. These impellers are highly resistant to dirt and dust. Their hydraulic efficiency is very high.
- Impeller completely made of plastic PA 6.
- Maintenance-free ball bearings.
- Insulation class "B". Cable exit: variable. Direction of rotation is CW as seen from intake side.
- UL, CSA, VDE approvals on most models, please contact application engineering.
- Recommended inlet ring: 9566-2-4013.

Part Number	Curve	CFM @ 0	VAC	Hertz	Power (W)	dBA	Max Amb. Temp. C	Bearing Type	Features	Capacitor (µF)	Wgt. (lbs)
R2E133-BH72-13	1	203	115	60	30	66	60	Ball	Leads	4	1.54
R2E133-BH66-05	1	203	230	60	27	67	65	Ball	Leads	1	1.54
R2S133-AE77-22	2	188	115	60	40	60	55	Ball	Leads	-	1.98
R2S133-AE17-05	2	188	230	60	34	58	60	Ball	Leads	-	1.98
R2S133-AE17-22	2	188	230	60	45	60	55	Ball	Leads	-	1.98



**ebmpapst**

e-mail: [sales@us.ebmpapst.com](mailto:sales@us.ebmpapst.com) · TEL: 860-674-1515 · FAX: 860-674-8536

ebm-papst Inc., 100 Hyde Road, Farmington, CT 06034 USA

ebm-papst Inc., 2006 © ebm-papst Inc. reserves the right to change any specifications or data without notice