

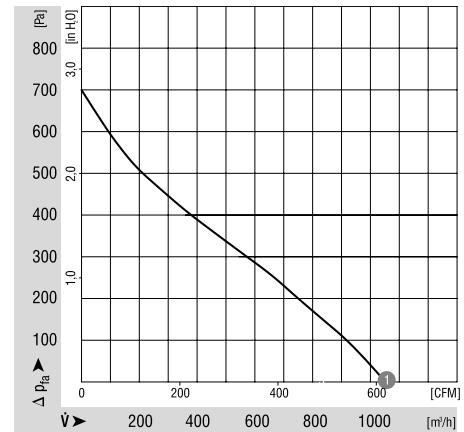
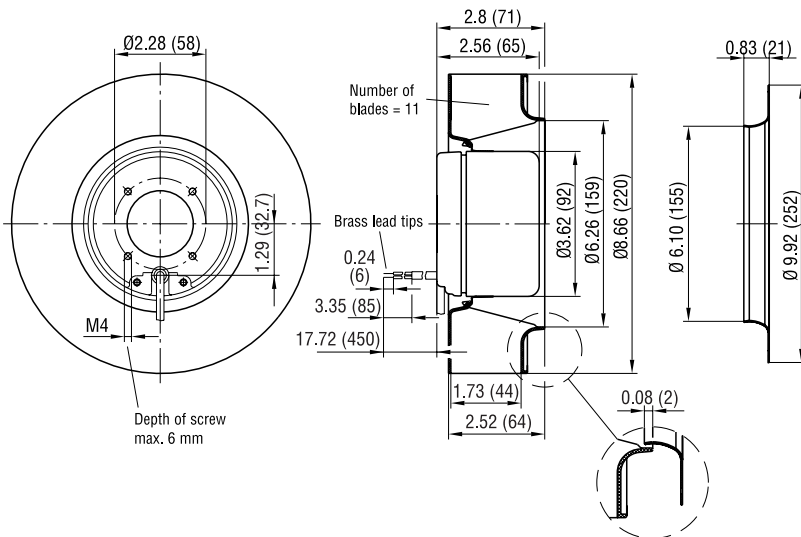
R1G220 Series Motorized Impeller

Ø 220mm Backward Curved



- These centrifugal fans have backward curved blades offering an extremely good aerodynamic efficiency
- Impeller completely made of plastic PA 6.6, injection-molded round sheet-metal plate.
- Wiring connection: Red = + ; Blue = - ; White = Tach Output; Yellow = Speed Control
- Integrated electronics with reverse polarity and locked-rotor protection. Rotation is CW. Tach Output. Cable exit: variable.
- UL, CSA, VDE approvals on most models, please contact application engineering.
- Recommended inlet ring: 9609-2-4013.

Part Number	Curve	CFM @ 0	VDC	Volt. Range	Power (W)	hBA	Max Amb. Temp C	Bearing Type	Speed (RPM)	Wgt. (lbs)
R1G220-AB35-52	1	620.9	24	16 to 28	106	76	60	Ball	3150	3.09
R1G220-AB73-52	1	597.4	48	36 to 57	100	73	60	Ball	3150	3.09



ebmpapst

e-mail: sales@us.ebmpapst.com · TEL: 860-674-1515 · FAX: 860-674-8536

ebm-papst Inc., 100 Hyde Road, Farmington, CT 06034 USA

ebm-papst Inc., 2006 © ebm-papst Inc. reserves the right to change any specifications or data without notice