



ALL RIGHTS RESERVED. NO PORTION OF THIS PUBLICATION, WHETHER IN WHOLE OR IN PART CAN BE REPRODUCED WITHOUT THE EXPRESS WRITTEN CONSENT OF SPC TECHNOLOGY.

SPC-F005.DWG

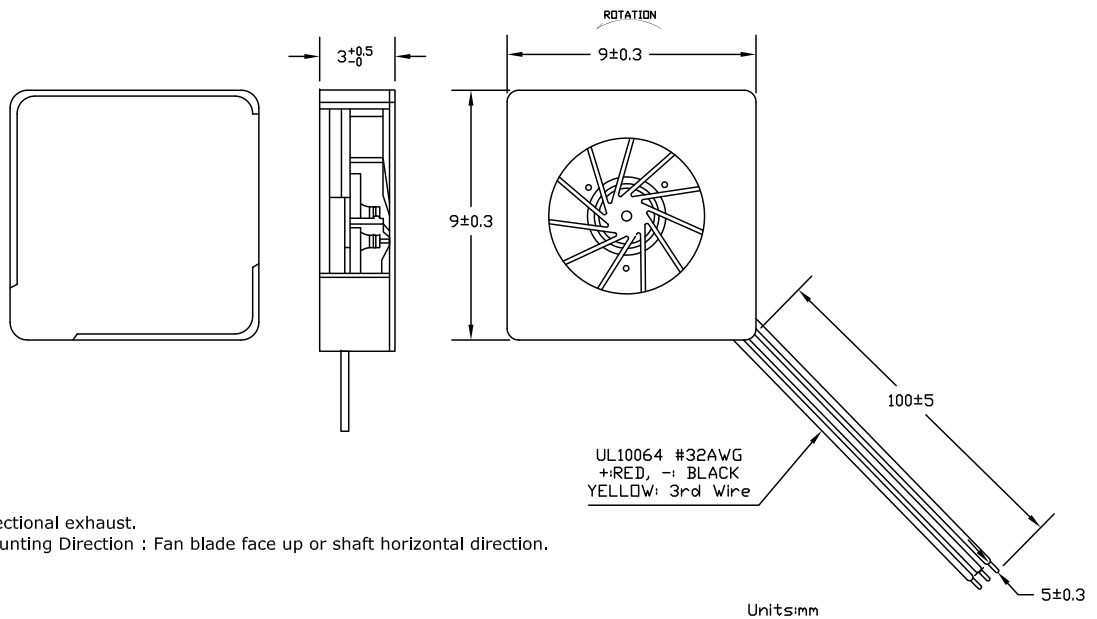
REVISIONS

DOC. NO. SPC-F005 \* Effective: 7/8/02 \* DCP No. 1398

DCP #	REV	DESCRIPTION	DRAWN	DATE	CHECKD	DATE	APPRVD	DATE
1993	A	Released	JN	12/30/09	JN	12/30/09	JN	12/30/09

MATERIAL

- 2-1. Frame : Thermoplastic LCP A130 of UL 94V-0
- 2-2. Impeller : Thermoplastic LCP A130 of UL 94V-0
- 2-3. Lead Wire : UL10064, 32 awg, +RED, -BLACK  
UL10064, 32 awg, YELLOW: 3rd Wire



1. One directional exhaust.
2. Best Mounting Direction : Fan blade face up or shaft horizontal direction.

Units:mm

DISCLAIMER:  
ALL STATEMENTS AND TECHNICAL INFORMATION CONTAINED HEREIN ARE BASED UPON INFORMATION AND/OR TESTS WE BELIEVE TO BE ACCURATE AND RELIABLE. SINCE CONDITIONS OF USE ARE BEYOND OUR CONTROL, THE USER SHALL DETERMINE THE SUITABILITY OF THE PRODUCT FOR THE INTENDED USE AND ASSUME ALL RISK AND LIABILITY WHATSOEVER IN CONNECTION THEREWITH.

TOLERANCES:

UNLESS OTHERWISE SPECIFIED, DIMENSIONS ARE FOR REFERENCE PURPOSES ONLY.

DRAWN BY:	DATE:
Jason Nash	12/30/09
CHECKED BY:	DATE:
Jason Nash	12/30/09
APPROVED BY:	DATE:
Jason Nash	12/30/09

DRAWING TITLE:

DC BRUSHLESS DFAN

SIZE	DWG. NO.	ELECTRONIC FILE	REV
A	MC34108	25R6540	A
SCALE: NTS	U.D.M.: INCHES [mm]	SHEET: 1 OF 4	

### CHARACTERISTICS

- |                                 |   |  |
|---------------------------------|---|--|
| 1. Motor Design                 | : | Single phase, 6 pole Brushless DC motor.   |
| 2. Insulation Resistance        | : | More than 20M ohm between internal stator and lead wire(+) measured at DC 100V.  |
| 3. Dielectric Strength          | : | Applied AC 500V for one minute or AC 600V for 2 seconds between housing and lead wire (+).   |
| 4. Noise Level                  | : | Measured in a semi-anechoic chamber with background noise level below 15 dB(A).The fan is running in free air with the microphone at a distance of 5 centimeter from the fan intake. |
| 5. Input Power, Current & Speed | : | Measured after continuous 10 minute operation at rated voltage in clean air, and at ambient temperature of 25 degree C.  |
| 6. Tolerance                    | : | ±15% on rated power and current.   |
| 7. Air Performance              | : | Measured by a double chamber. The values are recorded when the fan speed has stabilized at rated voltage.  |

ALL RIGHTS RESERVED. NO PORTION OF THIS PUBLICATION, WHETHER IN WHOLE OR IN PART CAN BE REPRODUCED WITHOUT THE EXPRESS WRITTEN CONSENT OF SPC TECHNOLOGY.

SIZE DWG. NO.

A

MC34108

ELECTRONIC FILE

25R6540

REV

A

SPC-F005.DWG

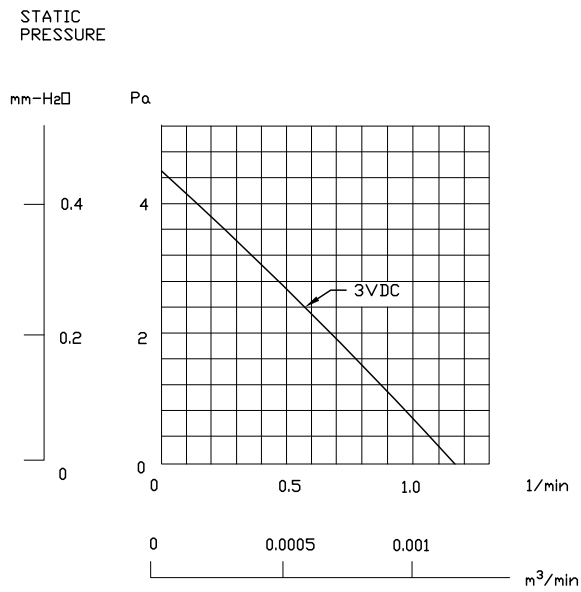
DOC. NO. SPC-F005 \* Effective: 7/8/02 \* DCP No: 1398

SCALE: NTS

U.D.M.: Millimeters

SHEET: 2 OF 4

### PERFORMANCE CURVES



ALL RIGHTS RESERVED. NO PORTION OF THIS PUBLICATION, WHETHER IN WHOLE OR IN PART CAN BE REPRODUCED WITHOUT THE EXPRESS WRITTEN CONSENT OF SPC TECHNOLOGY.

SIZE <b>A</b>	DWG. NO. <b>MC34108</b>	ELECTRONIC FILE <b>25R6540</b>	REV <b>A</b>
------------------	----------------------------	-----------------------------------	-----------------

SPC-F005.DWG	DOC. NO. SPC-F005 * Effective: 7/8/02 * DCP No: 1398	SCALE: NTS	U.O.M.: Millimeters	SHEET: 3 OF 4
--------------	--	------------	---------------------	---------------

### SPECIFICATIONS

1-1. Rated Voltage	:	3 VDC
1-2. Operating Voltage Range	:	2.0~3.5 VDC
1-3. Starting Voltage	:	2.0 VDC (25 deg. C POWER ON/OFF)
1-4. Rated Speed	:	17400 RPM $\pm$ 30%
1-5. Air Delivery	:	1.17 l/min
1-6. Static Pressure	:	4.44 Pa
1-7. Rated Current	:	92 mA
1-8. Rated Power	:	0.28 WATTS
1-9. Noise Level	:	4.3 dB(A) @ 1M 30.6 dB(A) @ 5cm
1-10. Direction of Rotation	:	Counter-clockwise viewed from front of fan blade
1-11. Operating Temperature	:	-10 to +70 deg. C
1-12. Storage Temperature	:	-40 to +70 deg. C
1-13. Bearing System	:	VAPD bearing system
1-14. Weight	:	0.55g
1-15. Locked Rotor Protection	:	Automatic Restart Capacity Note: In a situation where the fan is locked by a external force while the electricity is on, an increase in coil temperature will be prevented by temporarily turning off the electrical power to the motor. The fan will automatically restart when the locked rotor condition is released.

ALL RIGHTS RESERVED. NO PORTION OF THIS PUBLICATION, WHETHER IN WHOLE OR IN PART CAN BE REPRODUCED WITHOUT THE EXPRESS WRITTEN CONSENT OF SPC TECHNOLOGY.

SIZE DWG. NO.

A

MC34108

ELECTRONIC FILE

25R6540

REV

A

SPC-F005.DWG

DOC. NO. SPC-F005 \* Effective: 7/8/02 \* DCP No: 1398

SCALE: NTS

U.O.M.: Millimeters

SHEET: 4 OF 4