

Aventus

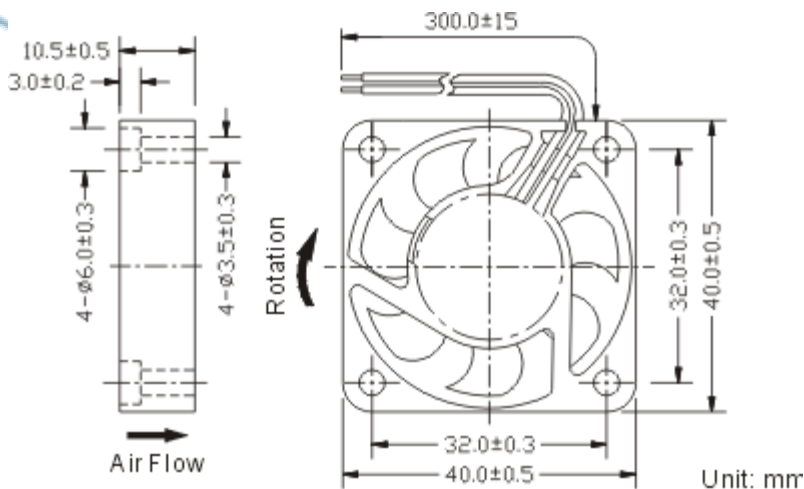
AVT4010

40 mm X 10 mm DC

40mm x 10mm DC Tube Axial



Mechanical Drawing:

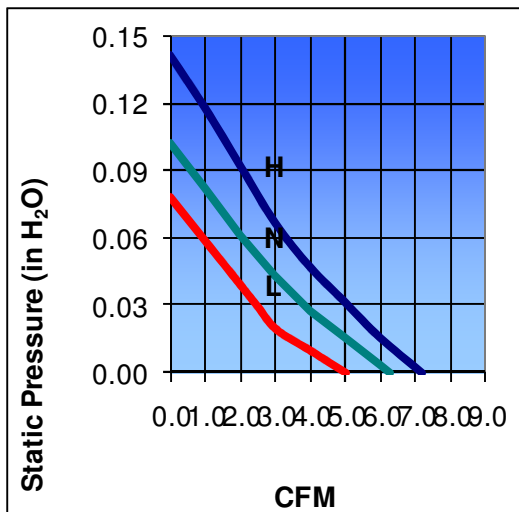


Standard Specifications

Size:	40mm x 10mm
Operating Temp:	-10 C to 70 C
Storage Temp:	-40 C to 80 C
Housing:	Plastic, UL-94V0
Blades:	Plastic, UL-94V0
Termination:	300mm leads
Red:	+
Black:	-
Certifications:	ROHS, UL Pending
Motor Protection:	Impedance & Polarity



Performance



* The maximum airflow and speed are measured at free air using a dual air test chamber.

* The maximum air pressure is measured with zero air flow at ambient temperature.

* All readings are typical values at the rated voltage.

Part Number	Listed Model	Bearing System	Rated Voltage VDC	Operation Voltage VDC	Rated Current A	Rated Speed RPM	Air Flow CFM	Air pressure Inch H ₂ O	Noise Level dBA	Available Features (Optional)	Weight g	
										Tachometer Output	Rotation Detector	
103525	AVT4010-05HB1	Ball	5	3.5~5.75	0.2	7,000	7.6	0.15	33	•	•	16
103526	AVT4010-05NB1	Ball	5	3.5~5.75	0.16	6,000	6.4	0.11	28	•	•	16
103527	AVT4010-05LB1	Ball	5	3.5~5.75	0.13	5,000	5.2	0.08	24	•	•	16
103528	AVT4010-12HB1	Ball	12	6.0~13.8	0.09	7,000	7.6	0.15	33	•	•	16
103529	AVT4010-12NB1	Ball	12	6.0~13.8	0.07	6,000	6.4	0.11	28	•	•	16
103530	AVT4010-12LB1	Ball	12	7.0~13.8	0.06	5,000	5.2	0.08	24	•	•	16
103531	AVT4010-24HB1	Ball	24	12.0~27.6	0.09	7,000	7.6	0.15	33	•	•	16
103532	AVT4010-24NB1	Ball	24	12.0~27.6	0.06	6,000	6.4	0.11	28	•	•	16
103533	AVT4010-24LB1	Ball	24	16.0~27.6	0.05	5,000	5.2	0.08	24	•	•	16

E-mail sales@aventusinc.com for inquiries or telephone: (858) 945-0625 for further assistance.

Rev 1.1