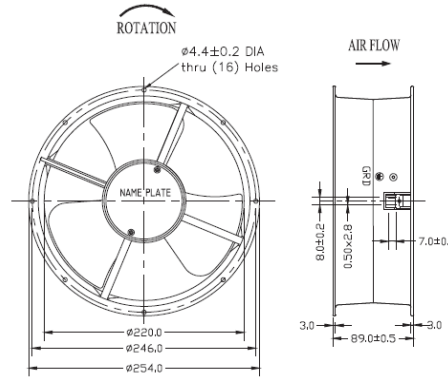




AVT25489-AC

Mechanical Drawing:



254mm x 89mm AC Tube Axial



Standard Specifications

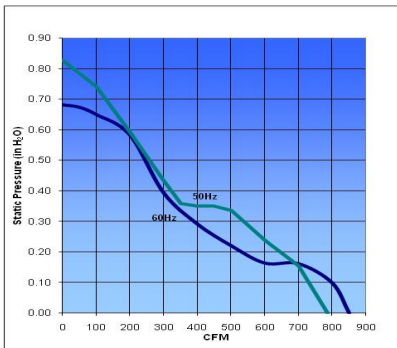
Size:	254 X 89 mm
Airflow:	423—850 CFM
Operating Temp:	-10 C to 70 C
Housing:	Aluminum Alloy
Blades:	Plastic ULV-0
Termination:	0.5mm terminals
Lead wire:	Optional
Motor:	Capacitor run induction
Certifications:	ROHS, UL Pending

- * The maximum airflow and speed are measured at free air using a dual air test chamber.
- * The maximum air pressure is measured with zero air flow at ambient temperature.
- * All readings are typical values at the rated voltage.
- * Specifications are subject to change without notice.

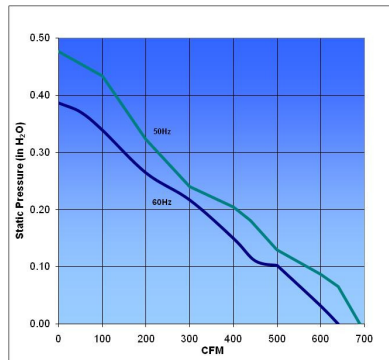


Performance

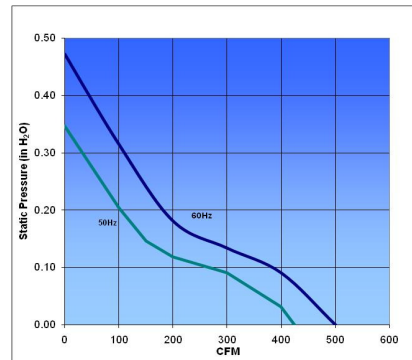
H Speed



N Speed



L Speed



Part Number	Listed Model	Bearing System	Rated Voltage VAC	Frequency Hz	Rated Current A	Power W	Speed RPM	Noise Level dBA	Air Flow CFM	Air pressure inch H2O	Weight g
203789	AVT25489-3HB2	Ball	220-240	50/60	0.40/0.55	87/110	2600/2800	80/88	858/935	0.83/0.67	2150
203790	AVT25489-3NB2	Ball	220-240	50/60	0.29/0.35	65/78	2200/2100	60/59	754/704	0.48/0.39	2150
203791	AVT25489-3LB2	Ball	220-240	50/60	0.16/0.17	32/35	1400/1650	52/55	465/553	0.35/0.47	2150
203792	AVT25489-1HB2	Ball	100-125	50/60	0.80/1.0	87/110	2600/2800	80/88	858/935	0.83/0.67	2150
203793	AVT25489-1NB2	Ball	100-125	50/60	0.58/0.70	65/78	2200/2100	60/59	754/704	0.48/0.39	2150
203794	AVT25489-1LB2	Ball	100-125	50/60	0.28/0.30	32/35	1400/1650	52/55	465/553	0.35/0.47	2150

254 X 89 mm AC