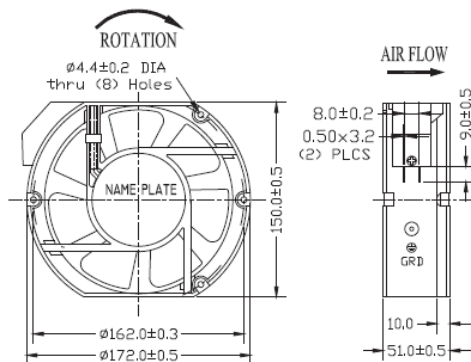


# Aventus

## AVT17215051-AC

### Mechanical Drawing:



### 172mm x 150mm x 51mm AC Tube Axial



### Standard Specifications

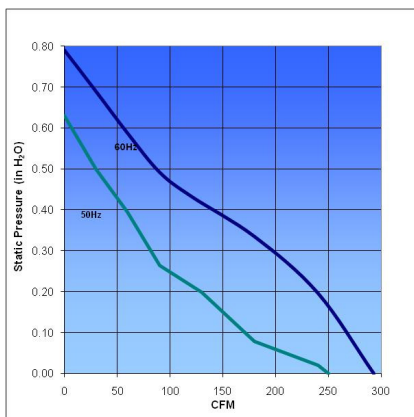
<b>Size:</b>	172mm x 150 X 51mm
<b>Airflow:</b>	210-293 CFM
<b>Operating Temp:</b>	-10 C to 65 C
<b>Housing:</b>	Aluminum Alloy
<b>Blades:</b>	Plastic, UL-94V0
<b>Termination:</b>	0.5mm terminals
<b>Lead wire:</b>	Optional
<b>Motor:</b>	Capacitor run induction
<b>Certifications:</b>	ROHS, UL Pending

- \* The maximum airflow and speed are measured at free air using a dual air test chamber.
- \* The maximum air pressure is measured with zero air flow at ambient temperature.
- \* All readings are typical values at the rated voltage.
- \* Specifications are subject to change without notice.

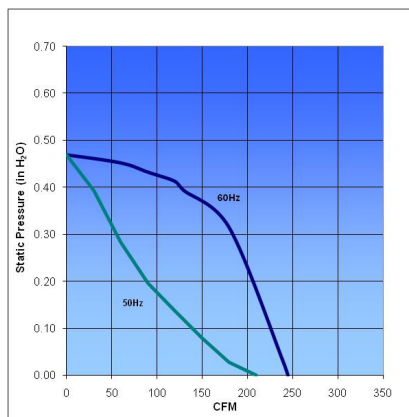
### Performance



H Speed



N Speed



172 X 150 X 51 mm

Part Number	Listed Model	Bearing System	Rated Voltage VAC	Frequency Hz	Rated Current A	Power W	Speed RPM	Noise Level dBA	Air Flow CFM	Air pressure inch H2O	Weight g
203779	AVT17215051-3HB2	Ball	220-240	50/60	0.20/0.22	46/50	2850/3300	56/61	250/293	0.63/0.79	970
203780	AVT17215051-3NB2	Ball	220-240	50/60	0.14/0.15	42/43	2500/2800	53/55	210/245	0.47/0.47	970
203781	AVT17215051-1HB2	Ball	100-125	50/60	0.35/0.40	46/50	2850/3300	56/61	250/293	0.63/0.79	970
203782	AVT17215051-1NB2	Ball	100-125	50/60	0.26/0.29	39/40	2500/2800	53/55	210/245	0.47/0.51	970