

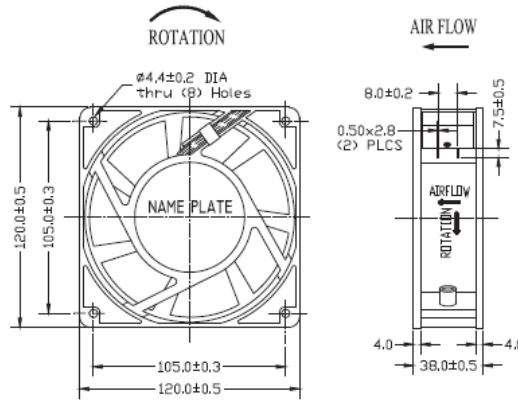
## 120mm x 38mm AC Tube Axial



## Standard Specifications

<b>Size:</b>	120mm X 38 mm
<b>Airflow:</b>	78—112 CFM
<b>Operating Temp:</b>	-10 C to 70 C
<b>Housing:</b>	Aluminum Alloy
<b>Blades:</b>	Plastic, UL-94V0
<b>Termination:</b>	0.5mm terminals
<b>Lead wire:</b>	Optional
<b>Motor:</b>	Shaded Pole Induction Motor
<b>Certifications:</b>	ROHS, UL Pending

## Mechanical Drawing:

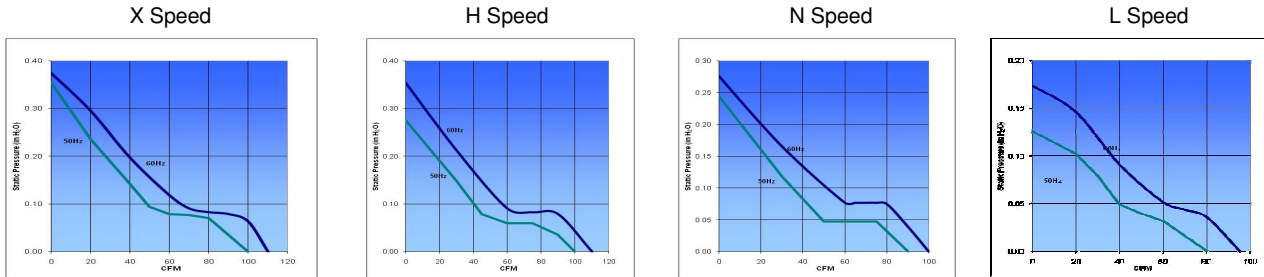


- \* The maximum airflow and speed are measured at free air using a dual air test chamber.
- \* The maximum air pressure is measured with zero air flow at ambient temperature.
- \* All readings are typical values at the rated voltage.
- \* Specifications are subject to change without notice.



Pending

## Performance



# 120 X 38 mm AC

Part Number	Listed Model	Bearing System	Rated Voltage VAC	Frequency Hz	Rated Current A	Power W	Speed RPM	Noise Level dBA	Air Flow CFM	Air pressure inch H2O	Air Weight g
203825	AVT12038-3HS2	Sleeve	220-240	50/60	0.2	28/24	2600/3000	39/44	97/111	0.29/0.37	560
203826	AVT12038-3NS2	Sleeve	220-240	50/60	0.16	16/15	2450/2700	38/42	91/100	0.24/0.28	560
203827	AVT12038-3LS2	Sleeve	220-240	50/60	0.1	12/11	2100/2450	35/40	78/91	0.14/0.17	560
203828	AVT12038-1HS2	Sleeve	100-125	50/60	0.3	29/24	2600/3000	39/44	97/111	0.29/0.37	560
203829	AVT12038-1NS2	Sleeve	100-125	50/60	0.25	19/17	2450/2700	38/42	91/100	0.24/0.28	560
203830	AVT12038-1LS2	Sleeve	100-125	50/60	0.2	14/13	2100/2450	35/40	78/91	0.14/0.17	560
203831	AVT12038-3XB2	Ball	220-240	50/60	0.2	28/24	2600/3000	39/44	99/112	0.36/0.37	560
203832	AVT12038-3HB2	Ball	220-240	50/60	0.2	28/24	2600/3000	40/44	97/111	0.29/0.37	560
203833	AVT12038-3NB2	Ball	220-240	50/60	0.16	16/15	2450/2700	39/42	91/100	0.24/0.28	560
203834	AVT12038-3LB2	Ball	220-240	50/60	0.1	12/11	2100/2450	35/38	78/91	0.14/0.17	560
203835	AVT12038-1XB2	Ball	100-125	50/60	0.3	29/24	2600/3000	39/44	99/112	0.36/0.37	560
203836	AVT12038-1HB2	Ball	100-125	50/60	0.3	29/24	2600/3000	40/44	97/111	0.29/0.37	560
203837	AVT12038-1NB2	Ball	100-125	50/60	0.25	19/17	2450/2700	39/42	91/100	0.24/0.28	560
203838	AVT12038-1LB2	Ball	100-125	50/60	0.2	14/13	2100/2450	35/38	78/91	0.14/0.17	560