



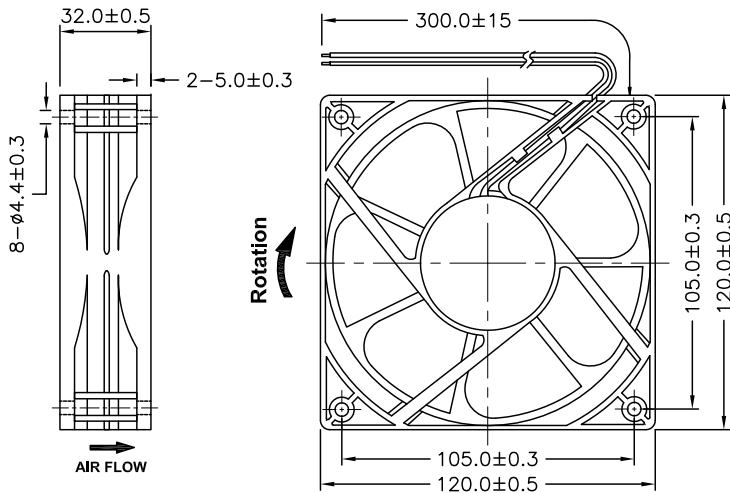
ALL RIGHTS RESERVED. NO PORTION OF THIS PUBLICATION, WHETHER IN WHOLE OR IN PART CAN BE REPRODUCED WITHOUT THE EXPRESS WRITTEN CONSENT OF SPC TECHNOLOGY.

SPC-F005.DWG

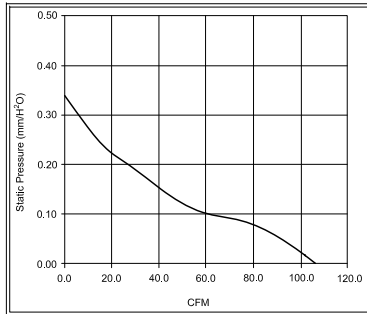
REVISIONS

DOC. NO. SPC-F005 * Effective: 7/8/02 * DCP No: 1398

| DCP # | REV | DESCRIPTION | DRAWN | DATE | CHECKD | DATE | APPRVD | DATE |
|-------|-----|-------------|-------|----------|--------|----------|--------|----------|
| 2057 | A | Released | JN | 07/07/09 | JWM | 07/07/09 | JWM | 07/07/09 |



Performance



NOTES:

-Maximum airflow and speed are measured at free air using a dual air test Chamber

-The maximum air pressure is measured with zero air flow at ambient temperature.

-All readings are typical values at the rated voltage.

*Specifications are subject to change without notice.

SPECIFICATIONS:

- Size: 120mm x 120mm x 32mm
- Operating Temp.: -10°C to 70°C
- Storage Temperature: -40°C to 80°C
- Housing: Metal
- Blades: Plastic, UL-94VO
- Termination: 300mm Leads
- Red: +
- Black: -
- Motor Protection: Impedance & Polarity
- Rated Speed: 3300 RPM
- Airflow: 106.6 CFM
- Air Pressure: 0.34 inch H₂O
- Noise Level: 48 dBA
- Bearing System: Ball Bearing
- Weight: 250g

| Mfg. P/N | Rated Voltage | Operation Voltage | Rated Current (A) |
|----------|---------------|-------------------|-------------------|
| MC33581 | 12 | 6.0~13.8 | 0.5 |
| MC33584 | 24 | 12.0~27.6 | 0.22 |
| MC33587 | 28 | 24.0~55.2 | 0.15 |

DISCLAIMER: ALL STATEMENTS AND TECHNICAL INFORMATION CONTAINED HEREIN ARE BASED UPON INFORMATION AND/OR TESTS WE BELIEVE TO BE ACCURATE AND RELIABLE. SINCE CONDITIONS OF USE ARE BEYOND OUR CONTROL, THE USER SHALL DETERMINE THE SUITABILITY OF THE PRODUCT FOR THE INTENDED USE AND ASSUME ALL RISK AND LIABILITY WHATSOEVER IN CONNECTION THEREWITH.

TOLERANCES:

UNLESS OTHERWISE SPECIFIED, DIMENSIONS ARE FOR REFERENCE PURPOSES ONLY.

| | |
|--------------|----------|
| DRAWN BY: | DATE: |
| Jason Nash | 07/07/09 |
| CHECKED BY: | DATE: |
| JWM | 07/07/09 |
| APPROVED BY: | DATE: |
| JWM | 07/07/09 |

DRAWING TITLE:

120mm x 120mm x 32mm DC Fan

| SIZE | DWG. NO. | ELECTRONIC FILE | REV |
|------|----------|-----------------|-----|
| A | Ta-1147 | Ta-1147.DWG | A |

| | | |
|------------|---------------------|---------------|
| SCALE: NTS | U.O.M.: mm [Inches] | SHEET: 1 OF 1 |
|------------|---------------------|---------------|