



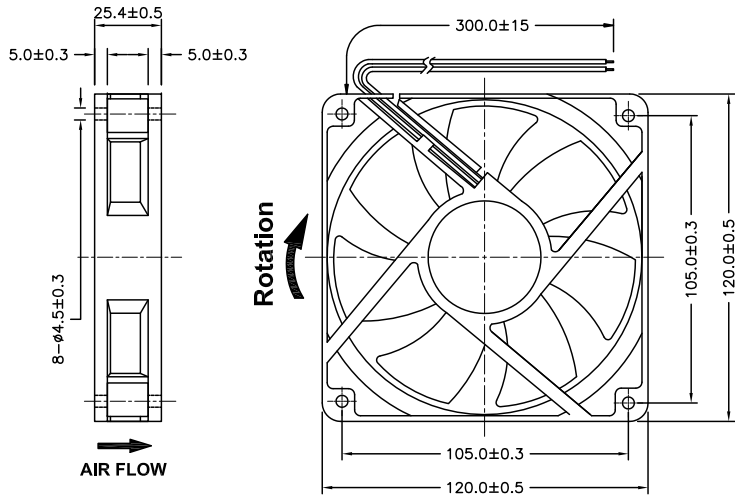
ALL RIGHTS RESERVED. NO PORTION OF THIS PUBLICATION, WHETHER IN WHOLE OR IN PART CAN BE REPRODUCED WITHOUT THE EXPRESS WRITTEN CONSENT OF SPC TECHNOLOGY.

SPC-F005.DWG

REVISIONS

DOC. NO. SPC-F005 \* Effective: 7/8/02 \* DCP No: 1398

DCP #	REV	DESCRIPTION	DRAWN	DATE	CHECKD	DATE	APPRVD	DATE
2057	A	Released	JN	07/07/09	JWM	07/07/09	JWM	07/07/09



NOTES:

-Maximum airflow and speed are measured at free air using a dual air test Chamber

-The maximum air pressure is measured with zero air flow at ambient temperature.

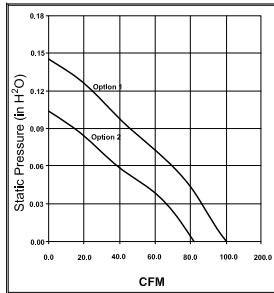
-All readings are typical values at the rated voltage.

\*Specifications are subject to change without notice.

SPECIFICATIONS:

- Size: 120mm x 120mm x 25mm
- Operating Temp.: -10°C to 70°C
- Storage Temperature: -40°C to 80°C
- Housing: Plastic, UL-94VO
- Blades: Plastic, UL-94VO
- Termination: 300mm Leads
- Red: +
- Black: -
- Motor Protection: Impedance & Polarity
- Bearing System: Ball Bearing
- Weight: 164g

Performance



Mfg. P/N	Rated Voltage	Operation Voltage	Rated Current (A)	Rated Speed (RPM)	Air Flow (CFM)	Air Pressure (inch H2O)	Noise Level (dBA)	Performance Graph Option
MC33575	12	6.0~13.8	0.23	2000	81.3	0.11	36	Option 2
MC33576	24	12.0~27.6	0.35	2400	99.6	0.15	42	Option 1
MC33578			0.2	2000	81.3	0.11	36	Option 2

DISCLAIMER: ALL STATEMENTS AND TECHNICAL INFORMATION CONTAINED HEREIN ARE BASED UPON INFORMATION AND/OR TESTS WE BELIEVE TO BE ACCURATE AND RELIABLE. SINCE CONDITIONS OF USE ARE BEYOND OUR CONTROL, THE USER SHALL DETERMINE THE SUITABILITY OF THE PRODUCT FOR THE INTENDED USE AND ASSUME ALL RISK AND LIABILITY WHATSOEVER IN CONNECTION THEREWITH.

TOLERANCES: UNLESS OTHERWISE SPECIFIED, DIMENSIONS ARE FOR REFERENCE PURPOSES ONLY.

DRAWN BY:	DATE:
Jason Nash	07/07/09
CHECKED BY:	DATE:
JWM	07/07/09
APPROVED BY:	DATE:
JWM	07/07/09

DRAWING TITLE:			
120mm x 120mm x 25mm DC Fan			
SIZE	DWG. NO.	ELECTRONIC FILE	REV
A	Ta-1146	Ta-1146.DWG	A
SCALE:	U.O.M.: mm [Inches]	SHEET: 1 OF 1	
NTS			