

# DV6400 Series

Tubeaxial

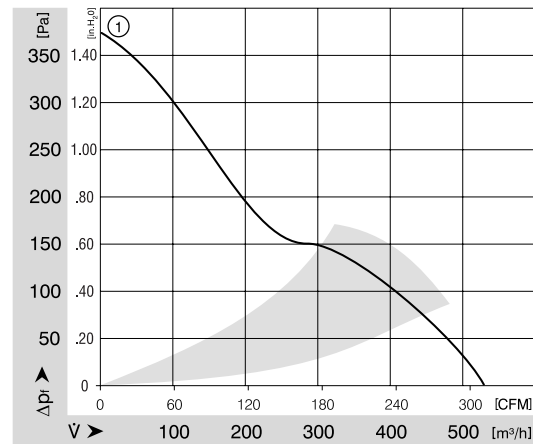
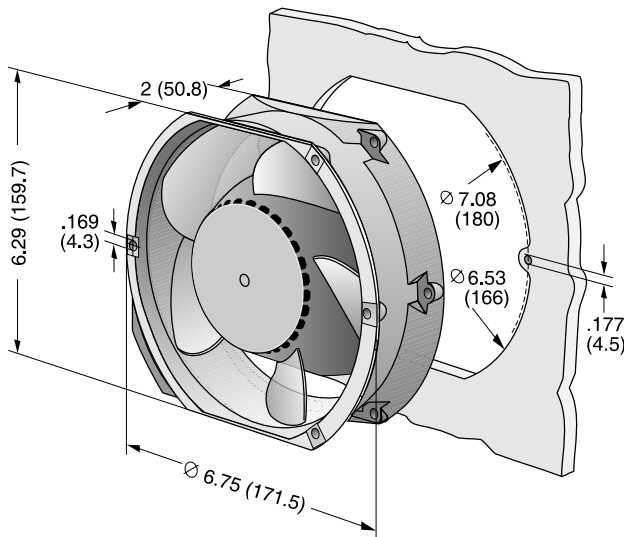
Ø 172x160x51mm



- DC diagonal fans with electronically commutated external rotor motor. Fully integrated commutation electronics. With electronic protection against reverse polarity, blocking and overloading.
- Metal fan housing, impeller of fiber-glass reinforced plastic PA.
- Mounting from either face using two 4.3 mm holes.
- Air exhaust over struts. Rotational direction CCW looking at rotor.
- Electrical connection via leads. AWG 22, TR 64. Stripped and tinned ends. Housing with ground lug M4 for M4 x 8 screws.
- UL, CSA, VDE approvals on most models, please contact application engineering.

Part Number	Curve	CFM @ 0	VDC	Volt. Range	Power (W)	dBA	Max Amb. Temp C	Bearing Type	Features	Speed (RPM)	Wgt. (lbs)
DV6424/12	1	311.9	24	16 to 28	40.0	65	75	Ball	Leads	4300	1.81
DV6448/12	1	311.9	48	28 to 60	40.0	65	75	Ball	Leads	4300	1.81

Tacho signal available on request.  
Alarm signal available on request.



**ebmpapst**

e-mail: [sales@us.ebmpapst.com](mailto:sales@us.ebmpapst.com) · TEL: 860-674-1515 · FAX: 860-674-8536

ebm-papst Inc., 100 Hyde Road, Farmington, CT 06034 USA

ebm-papst Inc., 2006 © ebm-papst Inc. reserves the right to change any specifications or data without notice