

# 4300V Series

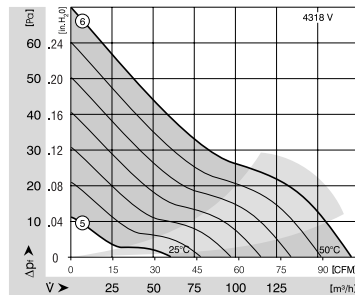
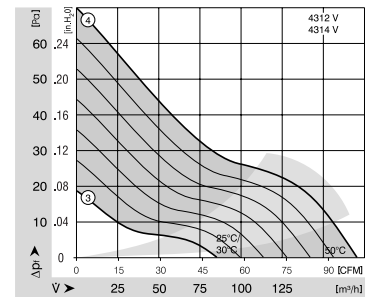
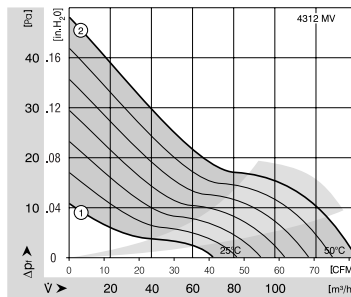
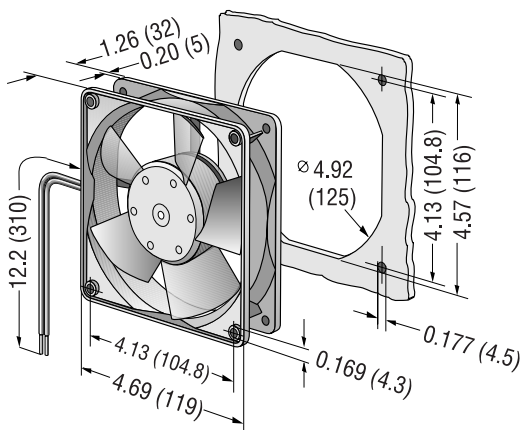
Tubeaxial

## 119x119x32mm VARIOFAN



- DC fans with electronically commutated external rotor motor. Fully integrated commutation electronics.
- With electronic protection against reverse polarity, blocking and overloading by PTC-resistor partially impedance protected.
- Temperature sensor (LZ370) must be ordered separately.
- Mounting from either face using four 4.3 mm holes.
- Fan of fiberglass reinforced plastic. PBTP housing, PA impeller.
- Air exhaust over struts. Rotational direction CW looking at rotor.
- Electrical connection via 3 leads AWG 22, TR 64. Stripped and tinned ends.
- UL, CSA, VDE approvals on some models, please contact application engineering.

Part Number	Curve	CFM @ 0	VDC	Volt. Range	Power (W)	dBA	Max Amb. Temp C	Bearing Type	Features	Wgt. (lbs)
25°C ▼ 50°C 4312MV	1	40.0	12	8 to 15	1.5	22	65	Ball	Leads	0.49
	2	82.4								
25°C ▼ 50°C 4312V	3	50.0	12	8 to 13.2	2.4	29	65	Ball	Leads	0.49
	4	100.1								
30°C ▼ 50°C 4314V	3	50.0	24	21 to 27	3.0	29	65	Ball	Leads	0.49
	4	100.1								
25°C ▼ 55°C 4318V	5	35.9	48	40 to 53	2.6	21	65	Ball	Leads	0.49
	6	100.1								



**ebmpapst**

e-mail: [sales@us.ebmpapst.com](mailto:sales@us.ebmpapst.com) · TEL: 860-674-1515 · FAX: 860-674-8536

ebm-papst Inc., 100 Hyde Road, Farmington, CT 06034 USA

ebm-papst Inc., 2006 © ebm-papst Inc. reserves the right to change any specifications or data without notice