



ALL RIGHTS RESERVED. NO PORTION OF THIS PUBLICATION, WHETHER IN WHOLE OR IN PART CAN BE REPRODUCED WITHOUT THE EXPRESS WRITTEN CONSENT OF SPC TECHNOLOGY.

SPC-F005.DWG

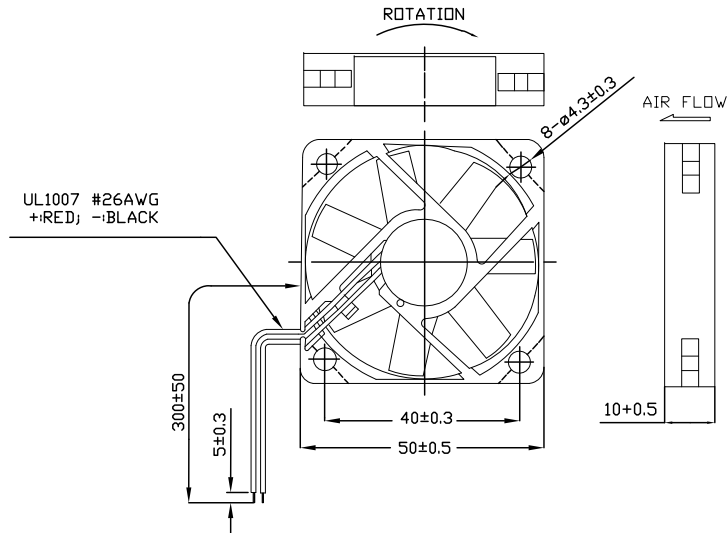
REVISIONS

DOC. NO. SPC-F005 * Effective: 7/8/02 * DCP No. 1398

DCP #	REV	DESCRIPTION	DRAWN	DATE	CHECKD	DATE	APPRVD	DATE
1993	A	Released	JYC	5/27/10	JYC	5/27/10	JYC	5/27/10

MATERIAL

- 2-1. Frame : Thermoplastic PBT of UL 94V-0
- 2-2. Impeller : Thermoplastic PBT of UL 94V-0



1. One directional exhaust.
2. Best Mounting Direction : Fan blade face up or shaft horizontal direction.

Units:mm

DISCLAIMER:
ALL STATEMENTS AND TECHNICAL INFORMATION CONTAINED HEREIN ARE BASED UPON INFORMATION AND/OR TESTS WE BELIEVE TO BE ACCURATE AND RELIABLE. SINCE CONDITIONS OF USE ARE BEYOND OUR CONTROL, THE USER SHALL DETERMINE THE SUITABILITY OF THE PRODUCT FOR THE INTENDED USE AND ASSUME ALL RISK AND LIABILITY WHATSOEVER IN CONNECTION THEREWITH.

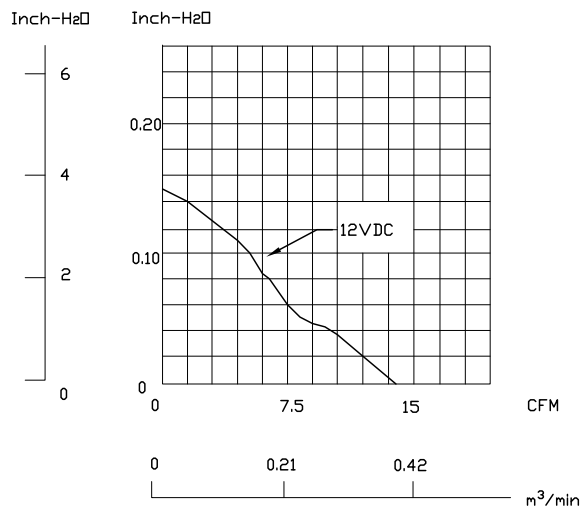
TOLERANCES:
UNLESS OTHERWISE SPECIFIED, DIMENSIONS ARE FOR REFERENCE PURPOSES ONLY.

DRAWN BY:	DATE:
Jerrold Chen	5/27/2010
CHECKED BY:	DATE:
Jerrold Chen	5/27/2010
APPROVED BY:	DATE:
Jerrold Chen	5/27/2010

DRAWING TITLE:			
Brushless DC Motor			
SIZE	DWG. NO.	ELECTRONIC FILE	REV
A	MC35356	75R9907	A
SCALE: NTS		U.O.M.: mm	SHEET: 1 OF 3

PERFORMANCE CURVES

STATIC
PRESSURE



ALL RIGHTS RESERVED. NO PORTION OF THIS PUBLICATION, WHETHER IN WHOLE OR IN PART CAN BE REPRODUCED WITHOUT THE EXPRESS WRITTEN CONSENT OF SPC TECHNOLOGY.

SIZE DWG. NO.

A

MC35356

ELECTRONIC FILE

75R9907

REV

A

SPC-F005.DWG

DOC. NO. SPC-F005 * Effective: 7/8/02 * DCP No: 1398

SCALE: NTS

U.O.M.: Millimeters

SHEET: 2 OF 3

SPECIFICATIONS

1-1. Rated Voltage	:	12 VDC
1-2. Operating Voltage Range	:	4.5~13.8 VDC
1-3. Starting Voltage	:	4.5 VDC (25 deg. C POWER ON/OFF)
1-4. Rated Speed	:	5500 RPM \pm 15% at rated voltage
1-5. Acoustic Noise	:	31 dB(A)
1-6. Static Pressure	:	0.15 Inch-H ₂ O
1-7. Rated Current	:	110 mA / Max 127 mA
1-8. Rated Power	:	1.32 W / Max 1.52 W
1-9. Weight	:	17.5g
1-10. Direction of Rotation	:	Counter-clockwise viewed from front of fan blade
1-11. Operating Temperature	:	-10 to +70 deg. C
1-12. Storage Temperature	:	-40 to +70 deg. C
1-13. Bearing System	:	VAPD bearing system
1-14. Air Flow	:	13.8 CFM
1-14. Locked Rotor Protection	:	Automatic Restart Capacity Note: In a situation where the fan is locked by a external force while the electricity is on, an increase in coil temperature will be prevented by temporarily turning off the electrical power to the motor. The fan will automatically restart when the locked rotor condition is released.

ALL RIGHTS RESERVED. NO PORTION OF THIS PUBLICATION, WHETHER IN WHOLE OR IN PART CAN BE REPRODUCED WITHOUT THE EXPRESS WRITTEN CONSENT OF SPC TECHNOLOGY.

SIZE DWG. NO.

A

MC35356

ELECTRONIC FILE

75R9907

REV

A

SPC-F005.DWG

DOC. NO. SPC-F005 * Effective: 7/8/02 * DCP No: 1398

SCALE: NTS

U.O.M.: Millimeters

SHEET: 3 OF 3