

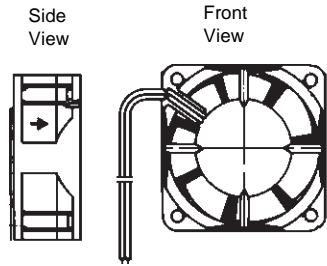
PAPST

FANS FOR DC OPERATION

PAPST DC fans are distinguished by a number of essential advantages: The fan is connected to the DC supply of the equipment to be cooled and is therefore independent of the mains voltage. PAPST DC fans may be operated with the voltage reduced by as much as 50 % or increased by 25 % of their nominal voltage, which may help reduce noise. The life expectancy of a DC fan is higher than that of a comparable AC fan, independent of the bearing system, since DC fans are up to five times more efficient. DC fans powered by low voltages (12 or 24 V) make elaborate safety precautions unnecessary.

DC MULTIFAN

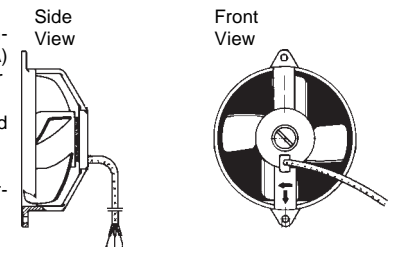
CONSTRUCTION: fan of fiberglass reinforced plastic, with PBTP housing, PA impeller.
 DRIVE: electronically commutated external rotor DC motor, with electronic protection against blocking and reverse polarity.
 AIR EXHAUST: over struts
 ROTATIONAL DIRECTION: clockwise, looking at rotor.



MODEL	MAX AIR FLOW CFM	NOMINAL VOLTAGE	NOISE dB (A)	BEARING SYSTEM	SPEED	PRICE
1.6 in. X 1.6in. X 0.8 in. Mounting holes 1.26 in. centers						
412	6	12	26	Sleeve	5300	\$18.55
414	6	24	26	Sleeve	5300	18.55
2.36 in. X 2.36 in. X .984 in. Mounting holes 1.97 in. centers						
612	23.3	12	40	Ball	5300	\$25.20
614	23.3	24	40	Ball	5300	25.20
3.15 in. X 3.15 in. X .984 in. Mounting holes 1.97 in. centers						
8412L	20.6	12	21	Ball	2000	\$18.40
8412M	26.5	12	29	Ball	2600	18.40
8412	32.8	12	35	Ball	3150	18.40
8414	32.8	24	35	Ball	3150	18.40
3.15 in. X 3.15 in. X 1.26 in. Mounting holes 2.81 in. centers						
8312	31.8	12	36	Ball	3300	\$24.90
8314	31.8	24	36	Ball	3300	24.90
3.62 in X 3.62 in. X .984 in. Mounting holes 3.25 in. centers						
3412	49.4	12	36	Ball	3050	\$19.30
3414	49.4	24	36	Ball	3050	19.30
3.62 in. X 3.62 in. X 1.26 in. Mounting holes 3.25 in. centers						
3312	47.0	12	37	Ball	3000	\$25.25
3314	47.0	24	37	Ball	3000	25.25
4.69 in. X 4.69 in. X 1.26 in. Mounting holes 4.13 in. centers						
4312L	55.9	12	30	Ball	1550	\$28.25
4312M	82.4	24	40	Ball	2300	28.25

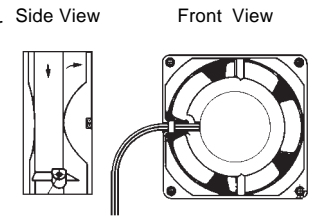
FANS FOR AC OPERATION

All PAPST AC fans are driven by shaded-pole motors or capacitor motors, most of which incorporate the world-famous PAPST external rotor principle. This motor construction is ideally suited for AC fans, since its outstanding advantages may be optimally realized in this application.
 CONSTRUCTION: fan housing and impeller of fiberglass reinforced plastic (PA)
 DRIVE: external rotor capacitor motor
 PHASE - SHIFT CAPACITOR: 5.6 uF / 70 VAC, must be ordered separately (Part No. LZ351)
 AIR INTAKE : over struts
 ROTATIONAL DIRECTION: counter-clockwise, looking at rotor



MODEL	MAX AIR FLOW CFM	NOMINAL VOLTAGE	NOISE dB (A)	BEARING SYSTEM	SPEED	PRICE
3.15 in. Dia. X 1.50 in. Deep. Mounting holes 3.54 in. centers						
900	18.8	24 V 60 Hz	17	Sleeve	1800	\$26.15

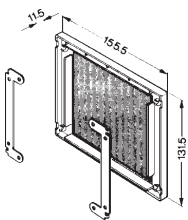
CONSTRUCTION: fan housing and impeller of metal
 DRIVE: external rotor shaded-pole motor, impedance protected
 AIR EXHAUST: over struts *
 AIR INTAKE: over struts **
 ROTATIONAL DIRECTION: clockwise, looking at rotor



MODEL	MAX AIR FLOW CFM	NOMINAL VOLTAGE	NOISE dB (A)	BEARING SYSTEM	SPEED	PRICE
3.15 in. X 3.15 in. X 1.50 in. Mounting holes 2.81 in. centers						
8500N	35.9	115 V 60 Hz	34	Sleeve	3150	\$23.60
8500DP *	35.9	115 V 60 Hz	34	Sleeve	3150	31.05
8506N *	35.9	115 V 60 Hz	35	Ball	3300	37.50
8550N *	35.9	230 V 60 Hz	34	Sleeve	3150	25.65
4.69 in. X 4.69 in. X 1.50 in. Mounting holes 4.13 in. centers						
4800N	58.9	115 V 60 Hz	32	Sleeve	1800	\$28.10
4530N **	88.9	115 V 60 Hz	45	Sleeve	2700	27.60
4600N **	105.9	115 V 60 Hz	50	Sleeve	3100	22.85
4600X **	105.9	115 V 60 Hz	50	Sleeve	3100	22.85
4600XP **	105.9	115 V 60 Hz	50	Sleeve	3100	30.40
**	105.9	115 V 60 Hz	51	Ball	3100	36.35
4606X **	105.9	230 V 60 Hz	50	Sleeve	3100	26.20
4650X **	105.9	230 V 60 Hz	51	Ball	3100	39.70
Suffix N designates mounting hole dia. .169 " (European) Suffix X designates mounting hole dia. .146 " (American) Suffix P designates 5 year warranty						

SCREEN

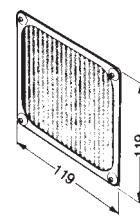
Frame of black fiberglass reinforced plastic (PPO) with inserted stainless steel wire mesh. Mounting brackets are included.



LZ40N For Series 4000 \$ 6.65

FILTERS

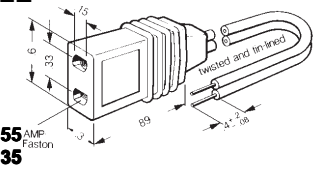
Light metal frame with crimped-on aluminum mesh.



LZ60 For 4000 Series \$ 4.15
LZ60-8 For 8000 Series \$ 6.25

CONNECTOR CABLE

UL approved. Black PVC cable with moulded plug; For series 3000, 4000, and 6000.



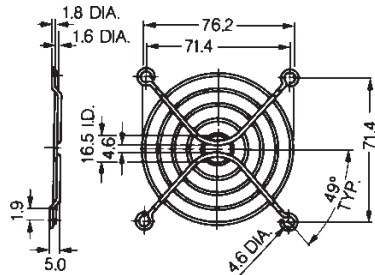
LZ120 24 in. long \$ 2.55
LZ126 39 in. long \$ 3.35
LZ130-1 24 in. long \$ 3.55

FINGER GUARDS

Welded, nickel chrome-plated steel wire

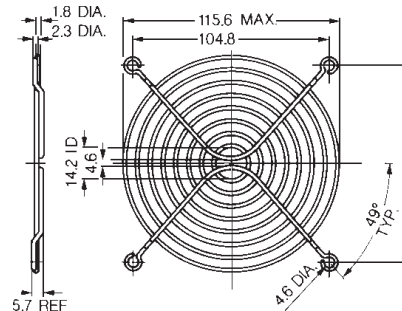
LZ22N For 8000 Series \$ 2.80

LZ23 For 3000 Series \$ 3.00



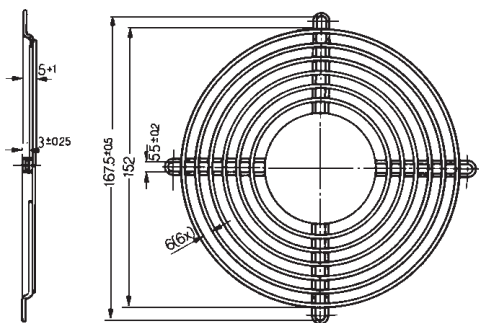
Welded, nickel chrome-plated steel wire

LZ30 For 4000 Series \$ 3.10



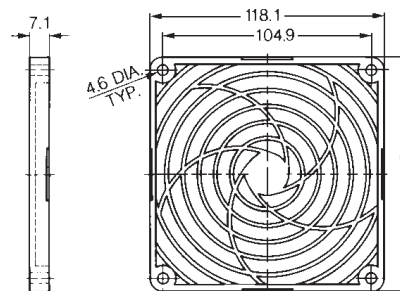
Welded, zinc-plated steel wire

LZ26 For 6000 Series \$ 4.60



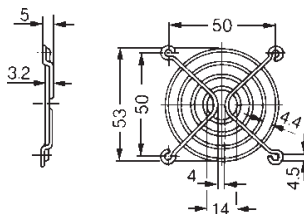
Fiberglass reinforced plastic (PPO)

LZ30P For 4000 Serie \$ 2.80



Welded, chrome-plated steel wire.

LZ28 For 600 Series \$ 2.60



Fiberglass reinforced plastic (PPO)

LZ32P For Series 8000 \$ 2.60

