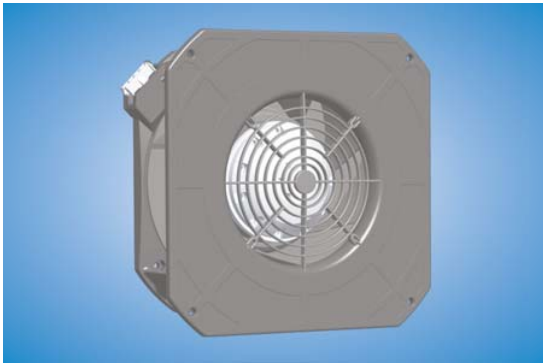


EC cassette fans

backward curved, Ø 190



- **Material:** Impeller: PA plastic 6.6, fibreglass-reinforced
Rotor: Coated in black
- **Technical features:**
 - Control input 0-10 VDC / PWM
 - Tach output
 - Reverse polarity and locked-rotor protection
- **Number of blades:** 7
- **Direction of rotation:** Clockwise, seen on rotor
- **Type of protection:** (24 VDC) IP 20; (48 VDC) IP 22
- **Insulation class:** "B"
- **Mounting position:** Any
- **Condensate discharges:** None
- **Mode of operation:** Continuous operation (S1)
- **Bearings:** Maintenance-free ball bearings
- **EMC:** Interference emission acc. to EN61000-6-3
Interference immunity acc. to EN61000-6-2
- **Cable exit:** Variable
- **Product conforming to standard:** EN60950-1
- **Approvals:** UL, CSA

Nominal data		Nominal voltage	Voltage range	Air flow	Speed / rpm	Power input	Current draw	Sound pressure level	Perm. amb. temp.	Weight
Part number	Motor	VDC	VDC	m ³ /h	rpm	W	A	dB(A)	°C	kg
K1G190-AB27-02	M1G055-CF	24	16-28	620	2950	51	2.30	68	-25 to +40	1.4
K1G190-AB25-02	M1G055-CF	48	36-57	620	2950	51	1.20	68	-25 to +40	1.4

subject to alterations

