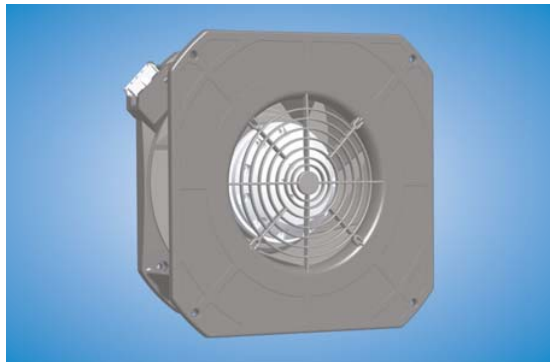


EC cassette fans

backward curved, Ø 175



- **Material:** Impeller: PA plastic 6.6, fibreglass-reinforced
Rotor: Galvanised
- **Technical features:**
 - Control input 0-10 VDC / PWM
 - Tach output
 - Reverse polarity and locked-rotor protection
- **Number of blades:** 7
- **Direction of rotation:** Clockwise, seen on rotor
- **Type of protection:** IP22
- **Insulation class:** "B"
- **Mounting position:** Any
- **Condensate discharges:** None
- **Mode of operation:** Continuous operation (S1)
- **Bearings:** Maintenance-free ball bearings
- **EMC:** Interference emission acc. to EN61000-6-3
Interference immunity acc. to EN61000-6-2
- **Cable exit:** Variable
- **Product conforming to standard:** EN60950-1
- **Approvals:** UL, CSA

| Nominal data | | Nominal voltage | Voltage range | Air flow | Speed / rpm | Power input | Current draw | Sound pressure level | Perm. amb. temp. | Weight |
|----------------|-----------|-----------------|---------------|-------------------|-------------|-------------|--------------|----------------------|------------------|--------|
| Part number | Motor | VDC | VDC | m ³ /h | rpm | W | A | dB(A) | °C | kg |
| K1G175-GB63-02 | M1G055-BD | 24 | 16-28 | 565 | 3100 | 34 | 1.60 | 65 | -25 to +60 | 1.1 |
| K1G175-GB41-02 | M1G055-BD | 48 | 36-57 | 565 | 3100 | 34 | 1.00 | 65 | -25 to +60 | 1.1 |

subject to alterations

