

max. 324 m<sup>3</sup>/h

# DC Diagonal Fans

Series DV 5200 127 x 127 x 38 mm



### Highlights:

- Diagonal compact fan with low noise and high pressure saddle.
- Highly stable characteristic curve for high air flow with high back pressure.
- Optional Vario-Pro: Highly adaptable software configuration of the fan enables a tailor-made solution to the specific requirements of your applications.
- DV 5214 /2HP with PWM control input and speed signal, additional inputs and outputs on request.

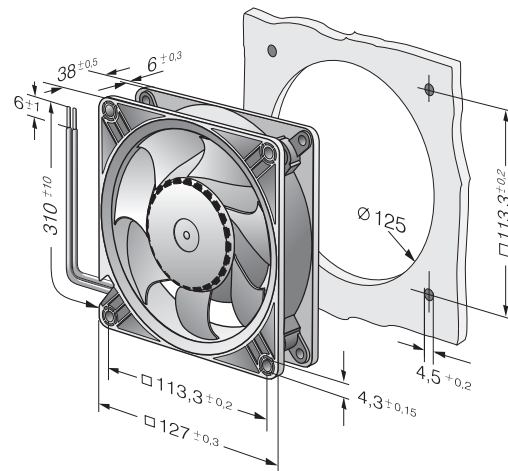
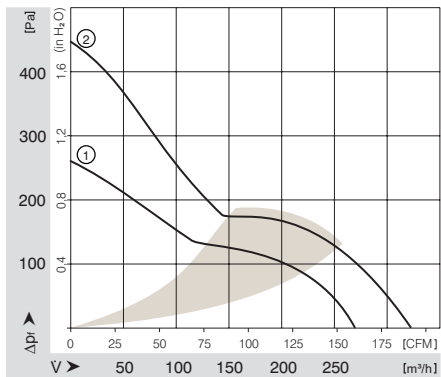
### General characteristics:

- Material: housing of fiberglass-reinforced plastic, optional of aluminium. Metal flange. Impeller of fiberglass-reinforced plastic PA; housing with grounding lug for screw M4 x 8 (Torx).
- Fully integrated electronic commutation. Protected against reverse polarity and blocking.
- Electrical connection via single leads AWG 22, TR 64, bared and tin-plated.
- Blowing over struts. Rotational direction CCW looking at rotor.
- Mass: 415 g (with metal housing: 490 g).

Nominal Data	Air Flow	Air Flow	Nominal Voltage	Voltage Range	Noise	Sound Power	Sinter-Sleeve Bearings Ball Bearings	Power Input	Nominal Speed	Temperature Range	Service Life L <sub>10</sub> (40 °C) ebm-papst Standard	Service Life L <sub>10</sub> (T <sub>max</sub> ) ebm-papst Standard	Life expectancy L <sub>10Δ</sub> (40 °C)	Curve	Specials
Type	m <sup>3</sup> /h	CFM	V DC	V DC	dB(A)	Bel	□/■	Watt	min <sup>-1</sup>	°C	Hours	Hours	Hours		
DV 5212 N	270	158.9	12	9...15	56	6.4	■	21.0	5 000	-20...+65	70 000 / 40 000	142 500	1	/2	
DV 5214 N	270	158.9	24	16...30	56	6.4	■	19.0	5 000	-20...+65	70 000 / 40 000	142 500	1	/2	
DV 5218 N	270	158.9	48	36...60	56	6.4	■	19.0	5 000	-20...+65	70 000 / 40 000	142 500	1	/2	
Model available as standard with PWM control input and speed signal. Other models on request.															
NEW DV 5214 /2HP	324	190.7	24	16...30	62	7.2	■	38.5	6 000	-20...+65	62 500* / 35 000*	125 000*	2		

\*preliminarily

Speed control range from 1000 min<sup>-1</sup> up to maximum nominal speed. Stationary at 0 % PWM, maximum speed when no sensor is connected.



ebmpapst

