

San Ace 80 S type DC Fan



Features

Low noise and low vibration

- Reduced sound pressure level by about 4 dB.*
- Reduced vibration by about 50% compared with our conventional products.*
- Reduced switching noise audible at low speed.

* Our conventional product is the DC cooling fan :
80mm square×25mm thick fan "San Ace 80" (9A0812L402)

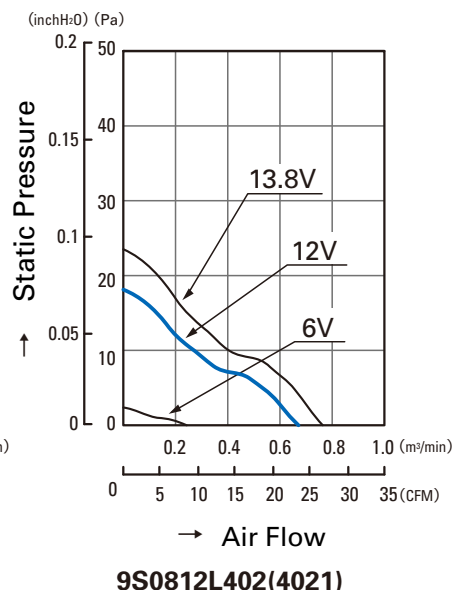
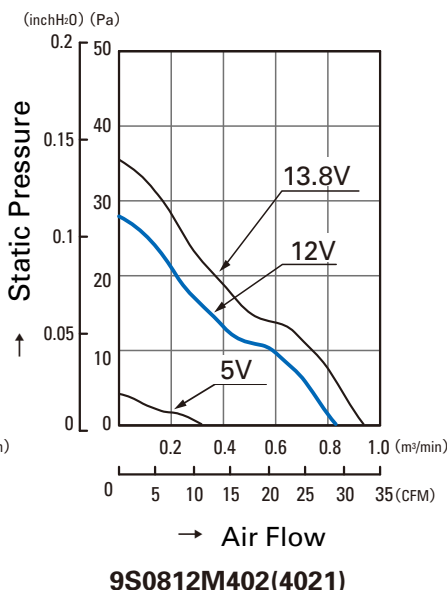
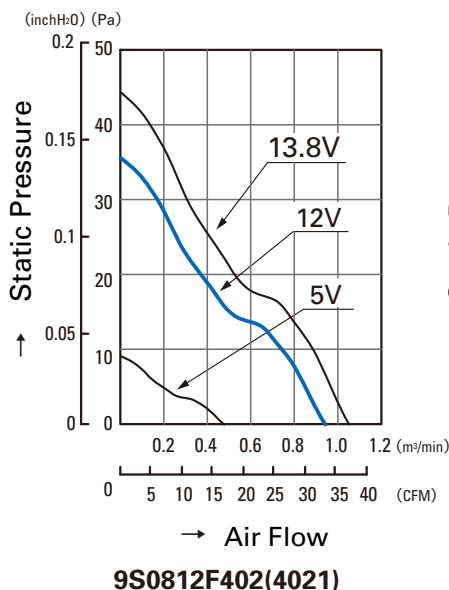
80mm square × 25mm thick

Specifications

Model No.	Rated Voltage (V)	Operating Voltage Range (V)	Rated Current (A)	Rated Input (W)	Rated Speed (min ⁻¹)	Air Flow (m ³ /min) (CFM)	Static Pressure (Pa) (inchH ₂ O)	SPL (dB(A))	Operating Temperature Range (°C)	Life Expectancy (h)
9S0812F402(4021)	12	5.0 to 13.8	0.11	1.32	2,800	0.93 32.8	35.5 0.143	24	- 10 to +70	40,000
9S0812M402(4021)			0.08	0.96	2,500	0.83 29.3	27.5 0.110	22		
9S0812L402(4021)		6.0 to 13.8	0.05	0.60	2,000	0.66 23.3	18.1 0.073	16		

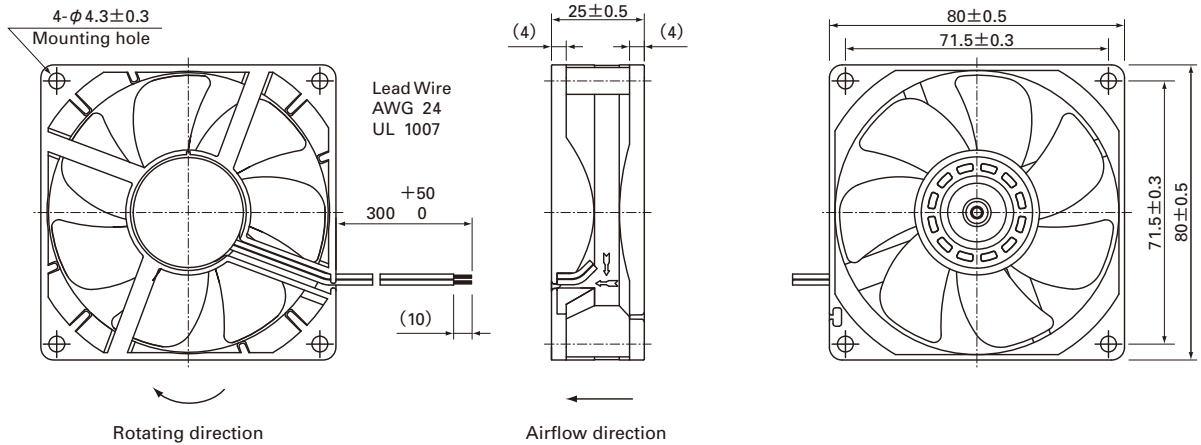
The numbers in () represent ribless models.

Air Flow and Static Pressure Characteristics

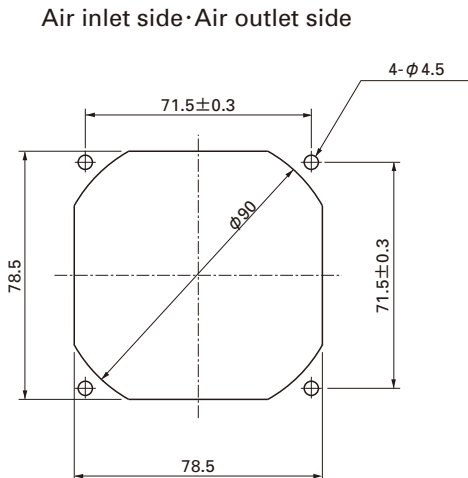


80mm

Dimensions (unit : mm)



Reference dimension of mounting holes and vent opening (unit : mm)



Common Specifications

- Material Frame: Plastics (Flammability: UL94V-0), Impeller:Plastics (Flammability: UL94V-1)
- Life Expectancy Varies for each model
(L10:Survival rate: 90% at 60°C, rated voltage, and continuously run in a free air state)
- Motor Protection System Current blocking function and Reverse polarity protection
- Dielectric Strength 50/60 Hz, 500VAC, 1 minute (between lead conductor and frame)
- Sound Pressure Level (SPL) Expressed as the value at 1m from air inlet side
- Operating Temperature Range Varies for each model (Non-condensing)
- Lead Wire \oplus red \ominus black
- Mass 75g

Notice

- The products shown in the catalog are subject to Japanese Export Control Law. Diversion contrary to the law of exporting country is prohibited.
- To protect against electrolytic corrosion that may occur in locations with strong electromagnetic noise, we provide fans that are unaffected by electrolytic corrosion.