

AC axial fan

Series 6000 150 Ø x 51 mm



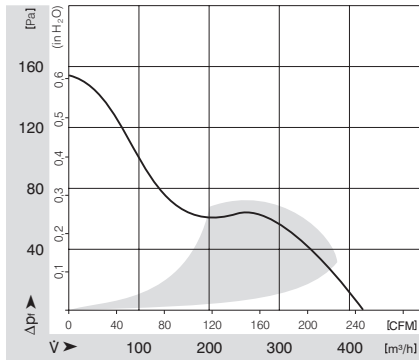
- **General description:** AC fan with external rotor shaded-pole motor
- **Impeller material:** Metal
- **Housing material:** Metal

Nominal data

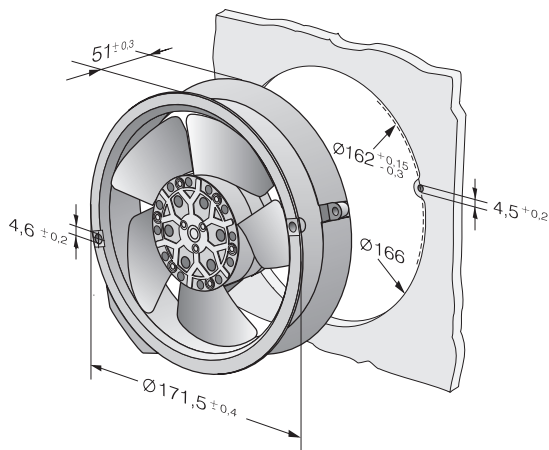
Type	Motor	Voltage VAC	Frequency Hz	Air flow m³/h	Speed 1/min	Power consumption W	Sound level Bel	Sound pressure level dB(A)	Ambient temperature °C	L10 service life at 40 °C h	L10 service life at max. temp. h	Weight kg
6078 ES	--	230	50	420	2800	26.0	6.3	54	-30 .. 75	37500	20000	1.000

Subject to modification Minimum operating temperature -15 °C. -30 °C for short periods; without condensation.

Characteristic: Pressure over air flow



Specific drawing



AC axial fan

Series 6000 150 Ø x 51 mm

Technical description

- **General description:** AC fan with external rotor shaded-pole motor
- **Housing material:** Metal
- **Direction of rotation:** Left, looking at rotor
- **Electrical connection:** 2 single strands. Housing with grounding lug for tapping screw M4 x 6 (TORX).
- **Approvals:** VDE, CSA, UL, CE
- **Impeller material:** Metal
- **Bearings:** Ball bearings
- **Direction of flow:** Air exhaust over bars
- **Motor protection:** Protected from overload by a thermal switch

Contact

ebm-papst St. Georgen GmbH & Co. KG
Hermann-Papst-Straße 1
D-78112 St. Georgen
Phone +49 (0) 7724 / 81-0
Fax +49 (0) 7724 / 81-1309
info2@de.ebmpapst.com
www.ebmpapst.com