

# iQ Motor

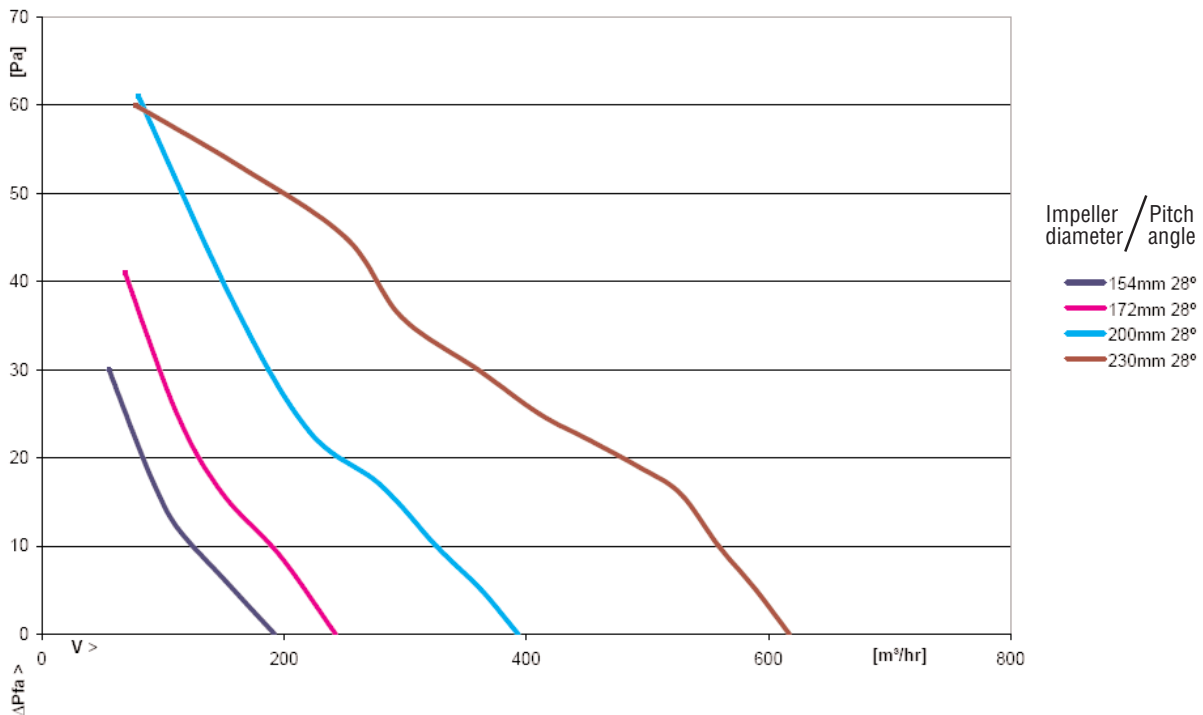


- Material:** Die-cast aluminium housing
- Conveying direction:** "V" and "A" (depending on axial impeller used)
- Direction of rotation:** Anticlockwise, viewing the shaft end
- System of protection:** IP54
- Insulation class:** "F"
- Mounting position:** "Any"
- Mode of operation:** Continuous operation (S1)
- Bearings:** Maintenance-free ball bearings
- Motor protection:** Protected by electronics
- Electrical connection:** Mains cable
- Protection class:** I (II possible)
- Approvals:** VDE and UL in progress
- Mounting attachment parts:** Guard grille and wall ring are attached to the projecting thread ends on the A side
- Axial impeller attachment:** A plastic adapter with catching peg and M4 screw are used to secure the impeller on the motor shaft.

Nominal data		Max output power	FNominal voltage	Frequency	Speed	Temperature range	Weight
Type	W	V	Hz	1/min	°C	kg	
iQ3612	10	230	50/60	1300	-40 - +50	0.6	

subject to alterations

Air performance curves



# iQ Motor

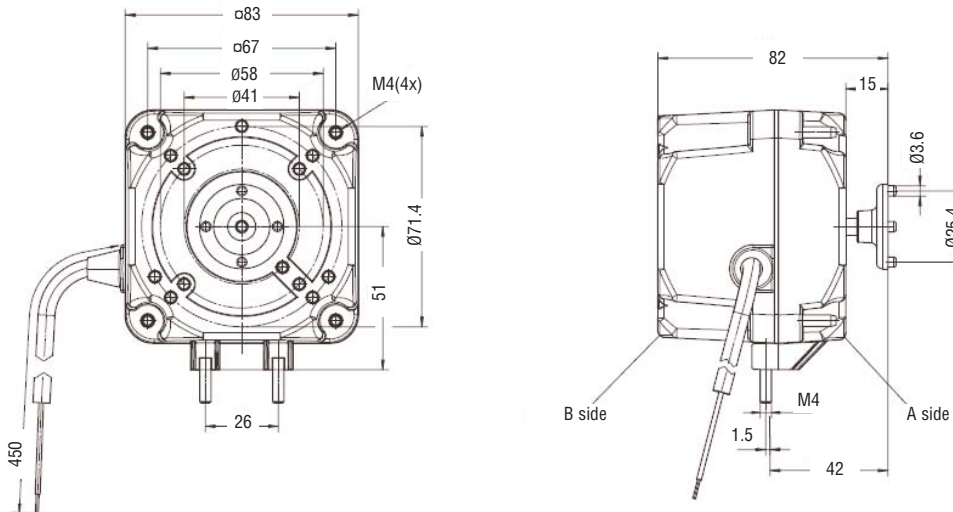
A one size fits all approach.

Impeller sizes that can be used with the iQ3612



Diameter of impeller	Blade angle
154mm	22°, 28°, 34°
172mm	22°, 28°, 34°
200mm	22°, 28°, 34°
230mm	22°, 28°, 34°
254mm	22°

## Diagram



## Electrical connections

